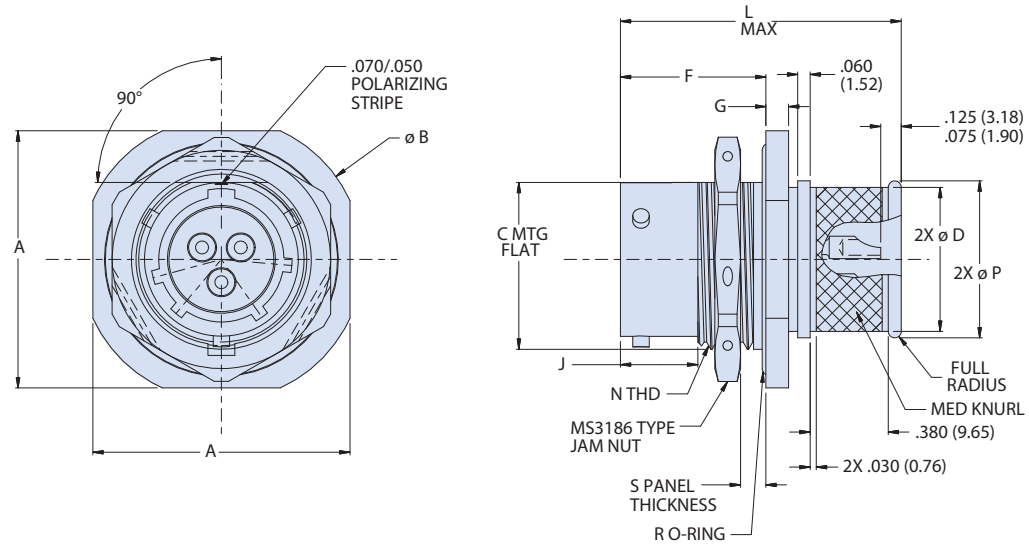
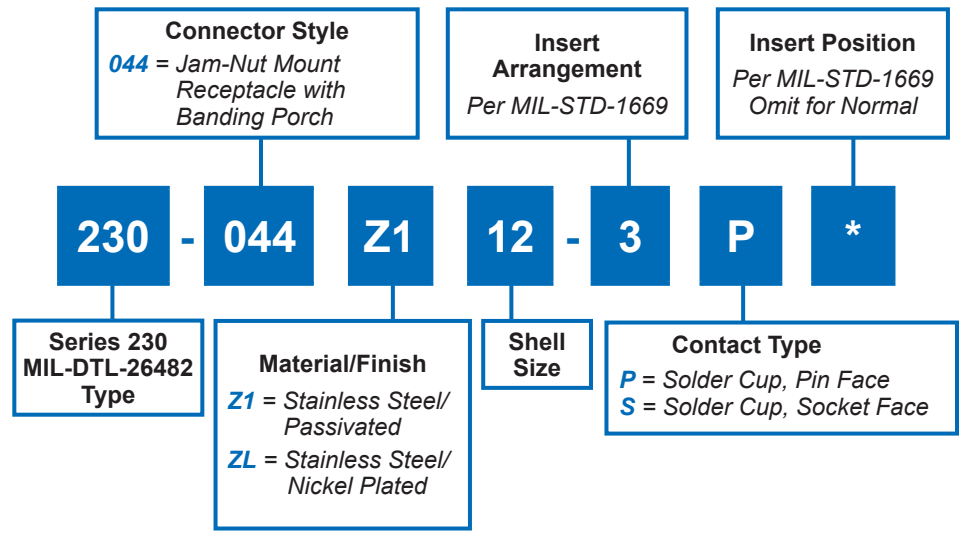


230-044
MIL-DTL-26482 Series II Type Hermetic
Bayonet Coupling Jam-Nut Mount Receptacle with Banding Porch

D



APPLICATION NOTES

- Material/Finish:**
 Shell: Per part number development
 Bayonets, socket hoods - CRES/passivate
 Contacts, hermetic - 52 nickel alloy/gold plate
 Contacts, socket - Copper alloy/gold plated
 Insulator, hermetic - Full glass
 Insulator, socket - High-grade rigid dielectric
 Seals - Silicone elastomer
 O-rings - Fluorosilicone elastomer
- Testing criteria:**
 Hermeticity - $<1 \times 10^{-7}$ ccHe/sec @ delta 1 ATM pressure
 DWV - per MIL-STD-1669 service rating
 IR - 5000 megohms min @ 500 VDC
- 230-044 will mate with any QPL MIL-DTL-26482 plug having the same size, insert, polarization, and opposite contact gender

230-044

MIL-DTL-26482 Series II Type Hermetic Bayonet Coupling Jam-Nut Mount Receptacle with Banding Porch

MIL-DTL-26482
Type

D

Dimensions							
SHELL SIZE	A LENGTH +.000 (0.00) -0.031 (0.79)	B ϕ +.000 (0.00) -0.031 (7.87) ACROSS FLANGE CORNER	C +.000 (.00) -0.010 (0.25) MTG. FLAT	D ϕ MAX	E PANEL FLAT LOCATION \pm .005	F MOUNTING FLANGE LOCATION	G FLANGE THICKNESS
8	0.954 (24.23)	1.078 (27.38)	0.530 (13.46)	0.475 (12.07)	0.536 (13.61)	.707 (17.96) .691 (17.55)	.113 (2.87) .097 (2.46)
10	1.078 (27.38)	1.203 (30.56)	0.655 (16.64)	0.600 (15.24)	0.661 (16.79)	.707 (17.96) .691 (17.55)	.113 (2.87) .097 (2.46)
12	1.266 (32.16)	1.391 (35.33)	0.818 (20.78)	0.700 (17.78)	0.824 (20.93)	.707 (17.96) .691 (17.55)	.113 (2.87) .097 (2.46)
14	1.391 (35.33)	1.516 (38.51)	0.942 (23.93)	0.835 (21.21)	0.948 (24.08)	.707 (17.96) .691 (17.55)	.113 (2.87) .097 (2.46)
16	1.516 (38.51)	1.641 (41.68)	1.066 (27.08)	0.960 (24.38)	1.072 (27.23)	.707 (17.96) .691 (17.55)	.113 (2.87) .097 (2.46)
18	1.641 (41.68)	1.766 (44.86)	1.191 (30.25)	1.062 (26.97)	1.197 (30.40)	.707 (17.96) .691 (17.55)	.113 (2.87) .097 (2.46)
20	1.828 (46.43)	1.954 (49.63)	1.316 (33.43)	1.188 (30.18)	1.322 (33.58)	.772 (19.61) .754 (19.15)	.148 (3.76) .128 (3.25)
22	1.954 (49.63)	2.078 (52.78)	1.441 (36.60)	1.275 (32.39)	1.447 (36.75)	.772 (19.61) .754 (19.15)	.148 (3.76) .128 (3.25)
24	2.078 (52.78)	2.203 (55.96)	1.566 (39.78)	1.475 (37.47)	1.572 (39.93)	.803 (20.40) .785 (19.94)	.148 (3.76) .128 (3.25)

Dimensions								
SHELL SIZE	J TO THREAD CHAMFER \pm .010 (0.25)	K +.010 (0.25) -0.005 (0.13) PANEL MOUNTING HOLE	L OVERALL LENGTH	N UNEF-2A MOUNTING THREAD	P ϕ MAX	R O-RING SEAL M25988/3-	S PANEL THICKNESS	
							MIN	MAX
8	0.368 (9.35)	0.572 (14.53)	1.335 (33.91)	.5625-24	0.538 (13.67)	016 (406.40)	0.062 (1.57)	0.187 (4.75)
10	0.368 (9.35)	0.697 (17.70)		.6875-24	0.662 (16.81)	018 (457.20)		
12	0.368 (9.35)	0.885 (22.48)		.875-20	0.762 (19.35)	021 (533.40)		
14	0.368 (9.35)	1.010 (25.65)		1.000-20	0.898 (22.81)	023 (584.20)		
16	0.368 (9.35)	1.135 (28.83)		1.125-18	1.022 (25.96)	025 (635.00)		
18	0.368 (9.35)	1.260 (32.00)		1.250-18	1.125 (28.58)	027 (685.80)		
20	0.368 (9.35)	1.385 (35.18)	1.435 (36.45)	1.375-18	1.250 (31.75)	029 (736.60)	0.250 (6.35)	
22	0.368 (9.35)	1.510 (38.35)		1.500-18	1.338 (33.99)	030 (762.00)		
24	0.395 (10.03)	1.635 (41.53)		1.466 (37.24)	1.625-18	1.538 (39.07)		031 (787.40)