

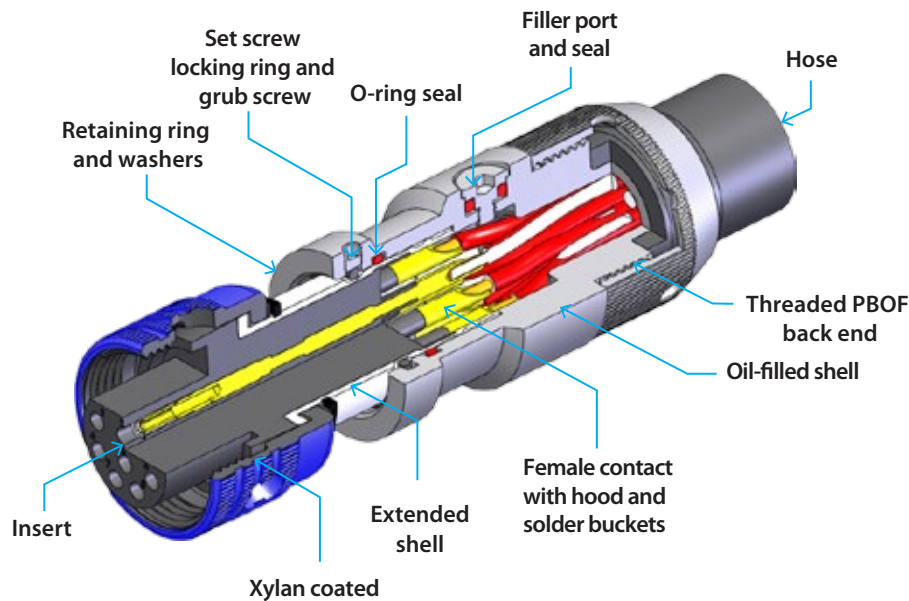


10K PSI / 700 BAR / 7000M SuperG55™ High-Pressure, Dry-Mate Underwater Connectors



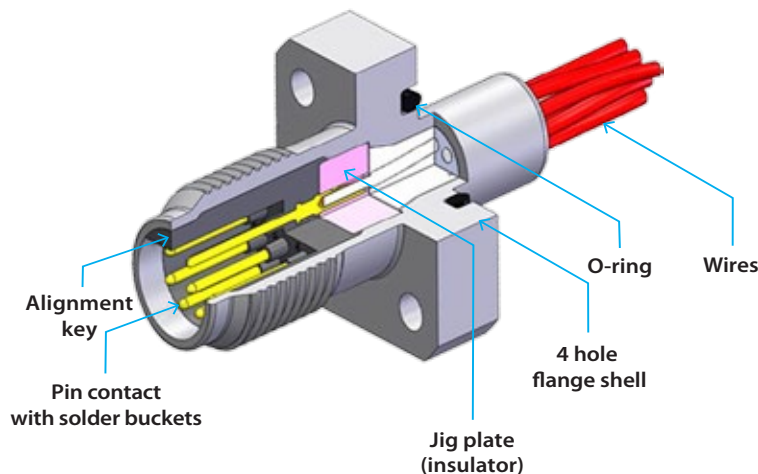
Key mechanical and environmental features

SUPERG55™ PRESSURE-BALANCED OIL-FILLED CABLE CONNECTOR PLUG (CCP)



SuperG55™ Performance Specifications	
Mating Cycles	500
Pressure	689 Bar (10,000 PSI) Mated and Un-mated
Operating Temperature	-20°C to +90°C
Voltage Rating	600 VDC / 440 Vac
Current (max.)	5 to 18 Amps (dependant on contact and cable conductor sizes)

SUPERG55™ FLANGE CONNECTOR RECEPTACLE (FCR)



SuperG55™ Material/Finish	
Shells	316L Stainless Steel/Passivated
Insulator	PEEK/NA
Insert	Neoprene/NA
Contacts	Copper Alloy/Gold Plated
O-rings	Nitrile/NA
Overmold and Cable	Polyurethane or Neoprene/NA
Coupling Nut	316L Stainless Steel/Protective Coating Blue
Bulkhead Receptacle Tails	PTFE Insulated 16 AWG Wire/NA
Cable	Polyurethane or Neoprene Jacketed/NA

NON-STANDARD MATERIALS: Other material options are available as part of our non-catalog offerings including anodized aluminum, titanium, and aluminum bronze. Glenair is also able to supply SuperG55™ interconnects in composite thermoplastic (PEEK) to meet application requirements for reduced cathodic corrosion as well as weight reduction without affecting connector performance.

HIGH-SPEED ETHERNET: The SuperG55™ Ethernet option is available in the 1508, 2013 and 2021 contact configurations and provides both high speed (Up to 1GB) and power (600 Volts) in a full subsea environment (10,000 PSI). Gigabit speed data transfer up to a distance of 75mtrs.

Material Finish Codes			
Code	Material/Finish	Code	Material/Finish
	Anodized Aluminum	PK	Composite Thermoplastic (PEEK)
NAB2	Aluminum Bronze	B	Brass
T	Titanium	Alternative materials available, contact factory	