



RJ12 PHONE INTERFACE 28840 SuperSeal™



900-320 Coupler with Accessory Threads and RJ12 Plug-to-Jack (Plug) or Jack-to-Jack (Receptacle)

How to Order							
Part Number Example	900-320	NF	D0	-	17	1	1
Basic Number	900-320						
Material/Finish	See Material and Finish Options Table						
Connector Style	D0 = Receptacle, Wall Mount 05 = Receptacle, Inline 07 = Receptacle, Jam Nut G6 = Plug						
Shielding	- = Inline Shielded RJ45 G = Inline Shielded and Grounded to Shell (See Note 2)						
Shell Size	15 or 17						
Alternate Polarization	1, 2, 3, 4, 5, 6 See Section A for details (Per MIL-DTL-28840)						
RJ12 Orientation Option	1, 2, 3, 4 (See below for options)						

NOTES

1. Receptacle meets IP67 requirements in the unmated condition and plug meets IP68 requirements in the mated condition, consult factory for details.
2. "G" option only with receptacle.
3. Connector accessory features per M28840 connector designator G. Consult factory for accessory selection.

SPECIFICATIONS

- RJ12 coupler maintains shield continuity
- Wiring: straight through
- RoHS compliant
- Electrical: current rating: 1.5 Amp
- D.W.V.: 1000 VDC (700 VAC)
- Operating temperature: -40°C to +120°C

Wall Mount & Inline Receptacle Dimensions						
Shell Size	A Thread	B Sq	C Bsc	D Thread	E	ØF
15	1.062-.1P-.2L-DS-2A	1.278 (32.46) 1.238 (31.45)	.968 (24.59)	1.000-20 UNEF 2A	1.080 (27.43) 1.070 (27.18)	1.275 (32.39) 1.255 (31.88)
17	1.125-.1P-.2L-DS-2A	1.403 (35.64) 1.363 (34.62)	1.015 (25.78)	1.125-18 UNEF 2A	1.143 (29.03) 1.133 (28.78)	1.338 (33.99) 1.318 (33.48)

Jam Nut Receptacle & Plug Dimensions					
Shell Size	ØG	H	J Flat	K Thread	ØL Max
15	1.681 (42.70) 1.661 (42.19)	1.587 (40.31) 1.567 (39.80)	1.153 (29.29) 1.144 (29.06)	1.1875-18 UNEF 2A	1.263 (32.08)
17	1.743 (44.27) 1.723 (43.76)	1.649 (41.88) 1.629 (41.38)	1.216 (30.89) 1.207 (30.66)	1.250-18 UNEF 2A	1.387 (35.23)

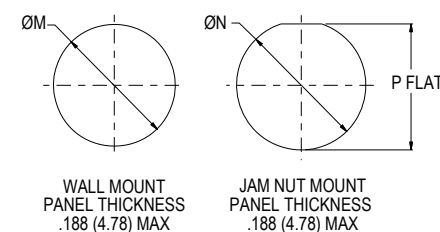
Material and Finish Options		
Code	Material	Finish Description
NF	Aluminum	Cadmium O. D. Over Electroless Nickel (500 hour Salt Spray)
ZN		Zinc Nickel, Olive Drab
MT		Nickel-PTFE, 1000 Hour Grey™
Z1	Stainless Steel	Passivate
ZU		Black Cadmium Over Nickel
AB	Marine Bronze	None (Clean Only)

Wiring Diagram*			
Pin	Modern Color Code (UTP)	Old Color Code	Destination
1	white/green	white	T3 (Tip 3)
2	white/orange	black	T2 (Tip 2)
3	blue/white	red	R1 (Ring 1)
4	white/blue	green	T1 (Tip 1)
5	orange/white	orange	R2 (Ring 2)
6	green/white	blue	R3 (Ring 3)

- Pair 1 = Primary dial tone or talk circuit on a single line
- Pair 2 = Secondary dial tone on a two line or data control circuit for an electronic key phone
- Pair 3 = Third dial tone on a three line or an accessory circuit for an electronic key phone

*Wiring Diagram based on industry standard USOC-6

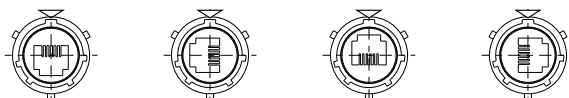
Recommended Panel Cutouts			
Shell Size	ØM	ØN	P Flat
15	1.124 (28.55)	1.203 (30.56) 1.193 (30.30)	1.165 (29.59) 1.155 (29.34)
17	1.187 (30.15)	1.265 (32.13) 1.255 (31.88)	1.228 (31.19) 1.218 (30.94)



RJ12 JACK ORIENTATION OPTIONS

▽ = KEYWAY

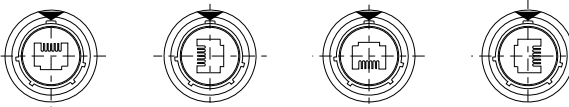
RJ12 JACK ORIENTATION OPTIONS



(Partial Front Views Shown)

▼ = KEY

RJ12 PLUG ORIENTATION OPTIONS



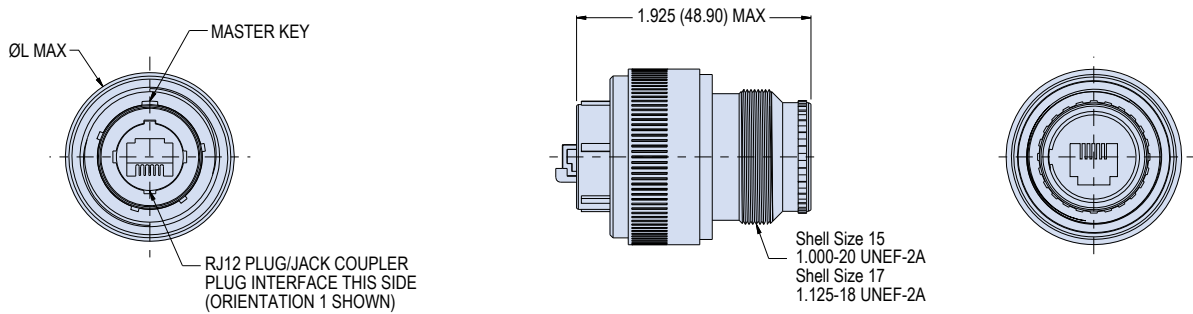


RJ12 PHONE INTERFACE 28840 SuperSeal™

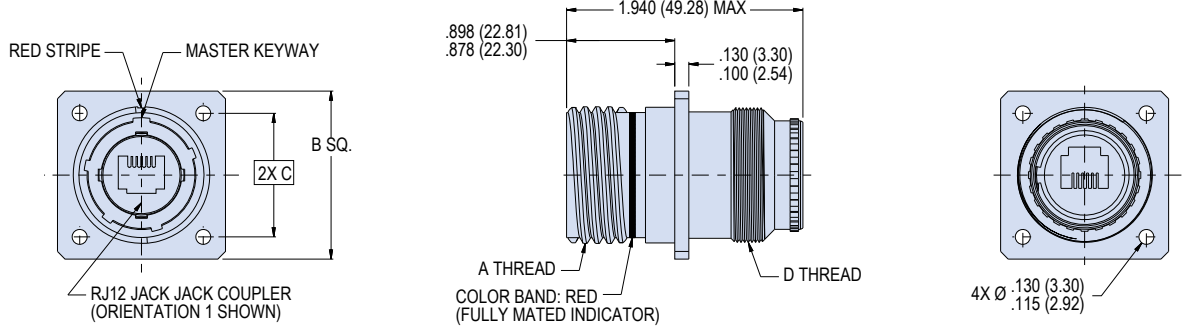


900-320 Coupler with Accessory Threads and RJ12 Plug-to-Jack (Plug) or Jack-to-Jack (Receptacle)

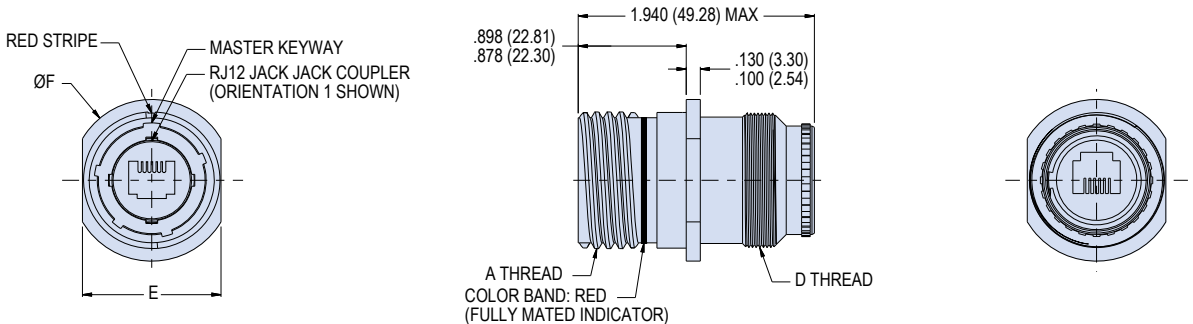
G6 - PLUG (JAM NUT RECEPTACLE & PLUG DIMENSIONS TABLE)



D0 - WALL MOUNT RECEPTACLE (SEE WALL MOUNT & INLINE RECEPTACLE DIMENSIONS TABLE)



05 - RECEPTACLE, INLINE (SEE WALL MOUNT & INLINE RECEPTACLE DIMENSIONS TABLE)



07 - JAM NUT MOUNT RECEPTACLE (JAM NUT RECEPTACLE & PLUG DIMENSIONS TABLE)

