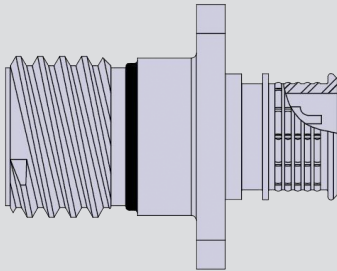


SERIES 806 Mil-Aero Hermetic Receptacles



806-067 Hermetic Receptacles with Accessory Thread or Banding Porch

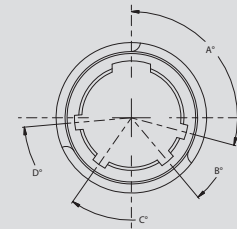


Series 806 hermetic receptacles feature stainless steel shells and glass-to-metal seals. Rated for -65°C to +200°C temperature range. Micro miniature Series 806 connectors save size and weight compared to legacy aerospace-grade hermetic connectors. These high performance, parylene compatible connectors are suitable for pressurized bulkhead applications subject to vibration, moisture, and temperature extremes.

How To Order

Sample Part Number	806-067	-07	Z1	8-7	P	-B	A
Series	806-067 Hermetic Receptacle						
Mounting Type	02 = Box Mount 13 = Weld Mount 07 = Jam-Nut Mount						
Finish	Z1 = Passivated ZL = Nickel Plated						
Shell Size - Insert Arr.	See Insert Arrangement table						
Contact Type	P = Pin S = Socket						
Rear Attachment Style	B = Banding Porch (Terminate Shield With Glenair Nano Band) T = Accessory Threads						
Polarization	A, B, C, D, E, F						

Polarization Key Code



POS	A°	B°	C°	D°
A	105°	140°	215°	265°
B	102°	170°	248°	305°
C	80°	150°	230°	295°
D	68°	140°	205°	275°
E	64°	155°	234°	304°
F	72°	120°	200°	298°

SERIES 806 GLASS-TO-METAL SEAL CONNECTORS

Shell Size - Insert Arrangement

Contact Layout	Number of Contacts					Contact Layout	Number of Contacts					Contact Layout	Number of Contacts				
	22HD	20HD	16	12	8		22HD	20HD	16	12	8		22HD	20HD	16	12	8
7-3	3					22-69		69				16-2				2	
8-4	4					24-92		92				18-3				3	
8-7	7					8-1			1			20-4				4	
9-11	11					10-2			2			22-5				5	
10-15	15					11-4			4			24-8				8	
11-19	19					12-5			5			10-8A	6		2		
12-26	26					14-7			7			11-13	11		2		
14-39	39					16-12			12			12-27	26		1		
16-60	60					18-15			15			14-21	17		4		
18-85	85					20-22			22			16-41	37		4		
20-110	110					22-24			24			18-59	55		4		
22-140	140					24-35			35			11-14	13			1	
24-186	186					9-1				1		14-22	20			2	
8-3		3				12-2				2		12-14	12			2	
9-5		5				14-3				3		16-42	40			2	
10-8		8				16-4				4		18-62	60			2	
11-10		10				16-7				7		14-20A	19			1	
12-15		15				18-8				8		16-22	20			2	
14-20		20				20-11				11		18-21	18			3	
16-31		31				22-13				13		20-28	24			4	
18-41		41				24-19				19		22-44	40			4	
20-55		55				10-1				1		24-97	93			4	

NOTES

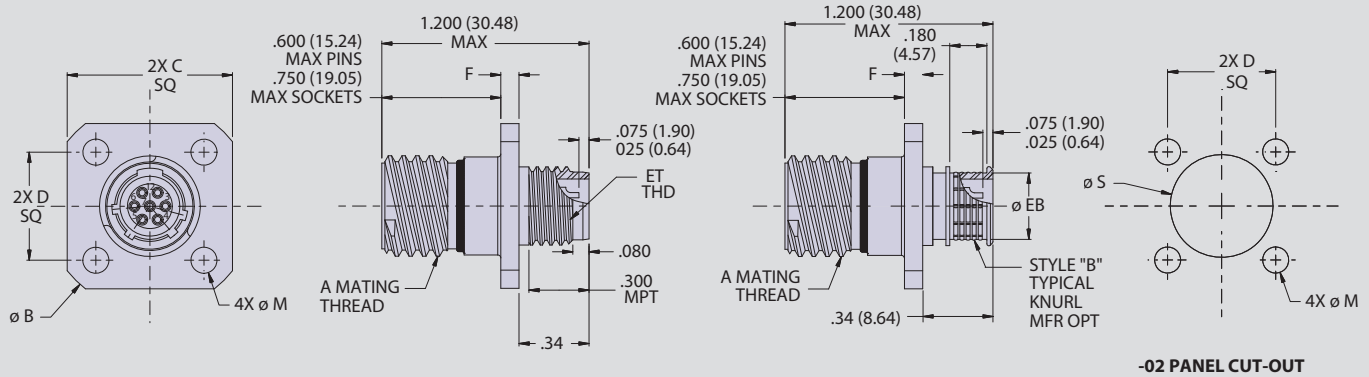
- DWV
 - #22 cont: 1300 VAC
 - #20 cont: 1800 VAC
 - #16, 12, & 8: Varies; consult factory
- I.R. - 5000 MEGOHMS min @ 500 VDC
- Assembly to be identified with Glenair name and/or cage code, part number, and date code (space permitting).
- 806-067 Receptacles mate with Glenair 806-style plug connectors with same size, arrangement, polarization, and opposite contact gender.
- Material / finish:
 - Shells & jam-nut: 304L cres / per p/n dev
 - Contacts, hermetic: Nickel-iron alloy / gold plate
 - Contacts, sockets: Copper alloy / gold plate
 - Insulator, hermetic: Vitreous glass
 - Insulator, socket: Rigid dielectric / none
 - Seals & o-rings: Fluorosilicone / N.A.

SERIES 806 Mil-Aero Hermetic Receptacles



806-067 Hermetic Receptacles with Accessory Thread or Banding Porch

806-067-02 BOX MOUNT HERMETIC RECEPTACLE



Dimensions									
Shell Sizes	"A" Thread Mating	"Ø B" Max Flange	"C" Square Max Flange Flats	"D" Square Bsc Mounting Holes	"Ø ET" Accessory Thread -0.100R	"Ø EB" ±.005 Banding Porch	"F" Max Flange	"Ø M" Thru Mtg Holes	"Ø S" Thru
7	.4375-.067P-.2L-TS-2A	0.968 (24.59)	0.750 (19.05)	0.469 (11.91)	M8 x 1.0-6g	0.265 (6.73)	0.100 (2.54)	0.128 (3.25)	0.445 (11.30)
8	.5000-.067P-.2L-TS-2A	1.040 (26.42)	0.822 (20.88)	0.531 (13.49)	M10 x 1.0-6g	0.327 (8.31)	0.100 (2.54)	0.128 (3.25)	0.509 (12.93)
9	.5625-.067P-.2L-TS-2A	1.130 (28.70)	0.885 (22.48)	0.594 (15.09)	M12 x 1.0-6g	0.406 (10.31)	0.100 (2.54)	0.128 (3.25)	0.577 (14.66)
10	.6250-.067P-.2L-TS-2A	1.174 (29.82)	0.913 (23.19)	0.625 (15.88)	M14 x 1.0-6g	0.484 (12.29)	0.100 (2.54)	0.128 (3.25)	0.645 (16.38)
11	.6875-.067P-.2L-TS-2A	1.240 (31.50)	0.960 (24.38)	0.670 (17.02)	M15 x 1.0-6g	0.524 (13.31)	0.100 (2.54)	0.128 (3.25)	0.712 (18.08)
12	.7500-.067P-.2L-TS-2A	1.354 (34.39)	1.040 (26.42)	0.765 (19.43)	M17 x 1.0-6g	0.603 (15.32)	0.100 (2.54)	0.128 (3.25)	0.768 (19.51)
14	.8750-.067P-.2L-TS-2A	1.510 (38.35)	1.133 (28.78)	0.859 (21.82)	M19 x 1.0-6g	0.681 (17.30)	0.100 (2.54)	0.128 (3.25)	0.890 (22.61)
16	1.0000-.067P-.2L-TS-2A	1.620 (41.15)	1.227 (31.17)	0.938 (23.83)	M22 x 1.0-6g	0.782 (19.86)	0.100 (2.54)	0.128 (3.25)	1.015 (25.78)
18	1.1250-.067P-.2L-TS-2A	1.784 (45.31)	1.320 (33.53)	1.016 (25.81)	M25 x 1.0-6g	0.899 (22.83)	0.100 (2.54)	0.128 (3.25)	1.125 (28.58)
20	1.2500-.067P-.2L-TS-2A	1.910 (48.51)	1.444 (36.68)	1.109 (28.17)	M28 x 1.0-6g	1.043 (26.49)	0.125 (3.18)	0.154 (3.91)	1.275 (32.39)
22	1.3750-.067P-.2L-TS-2A	2.083 (52.91)	1.570 (39.88)	1.203 (30.56)	M31 x 1.0-6g	1.155 (29.34)	0.125 (3.18)	0.154 (3.91)	1.400 (35.56)
24	1.5000-.067P-.2L-TS-2A	2.200 (55.88)	1.696 (43.08)	1.312 (33.32)	M34 x 1.0-6g	1.273 (32.33)	0.125 (3.18)	0.154 (3.91)	1.525 (38.73)

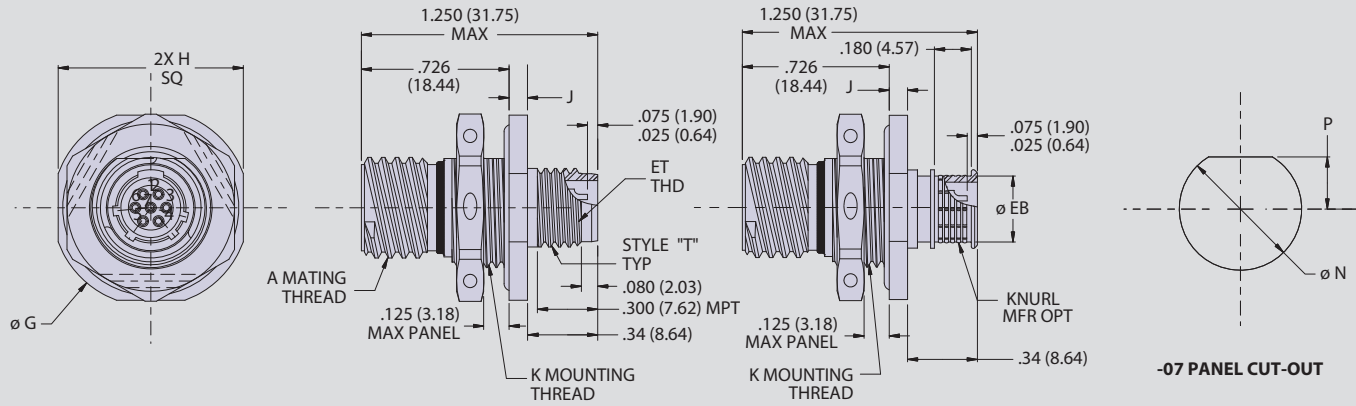
SERIES 806 GLASS-TO-METAL SEAL CONNECTORS

SERIES 806 Mil-Aero Hermetic Receptacles



806-067 Hermetic Receptacles with Accessory Thread or Banding Porch

806-067-07 JAM-NUT MOUNT HERMETIC RECEPTACLE



Dimensions

Shell Sizes	"A" Thread Mating	"ET" Accessory Threads -0.100R	"Ø EB" ±.005 Banding Porch	"Ø G" Max Flange	"H" Square Max Flange Flats	"J" Max Flange	"K" Thread Mounting	"Ø N" +.005/- .000 Mounting Hole	"P" +.005/- .000 Mounting Flat
7	.4375-.067P-.2L-TS-2A	M8 X 1.0-6g	.265 (6.73)	0.848 (21.54)	0.908 (23.06)	0.100 (2.54)	M13 X 1-6g .100R	0.522 (13.26)	0.224 (5.69)
8	.5000-.067P-.2L-TS-2A	M10 X 1.0-6g	.327 (8.31)	0.980 (24.89)	0.920 (23.37)		M15 X 1-6g .100R	0.601 (15.27)	0.256 (6.50)
9	.5625-.067P-.2L-TS-2A	M12 X 1.0-6g	.406 (10.31)	1.040 (26.42)	0.980 (24.89)		M16 X 1-6g .100R	0.640 (16.26)	0.287 (7.29)
10	.6250-.067P-.2L-TS-2A	M14 X 1.0-6g	.484 (12.29)	1.110 (28.19)	1.050 (26.67)		M18 X 1-6g .100R	0.719 (18.26)	0.318 (8.08)
11	.6875-.067P-.2L-TS-2A	M15 X 1.0-6g	.524 (13.31)	1.160 (29.46)	1.110 (28.19)		M19 X 1-6g .100R	0.759 (19.28)	0.350 (8.89)
12	.7500-.067P-.2L-TS-2A	M17 X 1.0-6g	.603 (15.32)	1.230 (31.24)	1.170 (29.72)		M21 X 1-6g .100R	0.837 (21.26)	0.381 (9.68)
14	.8750-.067P-.2L-TS-2A	M19 X 1.0-6g	.681 (17.30)	1.360 (34.54)	1.320 (33.53)		M24 X 1-6g .100R	0.955 (24.26)	0.443 (11.25)
16	1.0000-.067P-.2L-TS-2A	M22 X 1.0-6g	.782 (19.86)	1.515 (38.48)	1.444 (36.68)		M27 X 1-6g .100R	1.073 (27.25)	0.505 (12.83)
18	1.1250-.067P-.2L-TS-2A	M25 X 1.0-6g	.899 (22.83)	1.610 (40.89)	1.570 (39.88)		M30 X 1-6g .100R	1.192 (30.28)	0.568 (14.43)
20	1.2500-.067P-.2L-TS-2A	M28 X 1.0-6g	1.043 (26.49)	1.850 (46.99)	1.760 (44.70)		0.128 (3.25)	M34 X 1-6g .100R	1.349 (34.26)
22	1.3750-.067P-.2L-TS-2A	M31 X 1.0-6g	1.155 (29.34)	2.010 (51.05)	1.913 (48.59)	M37 X 1-6g .100R		1.467 (37.26)	0.693 (17.60)
24	1.5000-.067P-.2L-TS-2A	M34 X 1.0-6g	1.273 (32.33)	2.195 (55.75)	2.070 (52.58)	M41 X 1-6g .100R		1.624 (41.25)	0.755 (19.18)

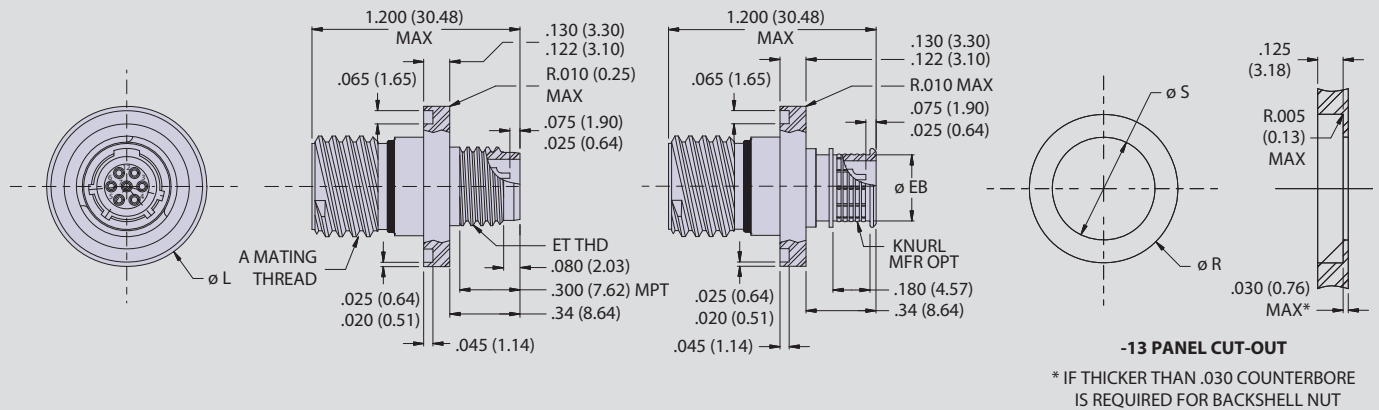
SERIES 806 GLASS-TO-METAL SEAL CONNECTORS

SERIES 806 Mil-Aero Hermetic Receptacles



806-067 Hermetic Receptacles with Accessory Thread or Banding Porch

806-067-13 WELD MOUNT HERMETIC RECEPTACLE



Dimensions						
Shell Sizes	"A" Thread Mating	"ET" Accessory Threads -0.100R	"Ø EB" ±.005 Banding Porch	"Ø L" ±.002 Flange	"Ø R" ±.002 MTG Hole	"Ø S" Thru
7	.4375-.067P-2L-TS-2A	M8 X 1.0-6g	.265 (6.73)	0.725 (18.42)	0.730 (18.54)	0.445 (11.30)
8	.5000-.067P-2L-TS-2A	M10 X 1.0-6g	.327 (8.31)	0.788 (20.02)	0.793 (20.14)	0.509 (12.93)
9	.5625-.067P-2L-TS-2A	M12 x 1.0-6g	.406 (10.31)	0.912 (23.16)	0.917 (23.29)	0.577 (14.66)
10	.6250-.067P-2L-TS-2A	M14 X 1.0-6g	.484 (12.29)	0.975 (24.76)	0.980 (24.89)	0.645 (16.38)
11	.6875-.067P-2L-TS-2A	M15 X 1.0-6g	.524 (13.31)	1.038 (26.37)	1.043 (26.49)	0.712 (18.08)
12	.7500-.067P-2L-TS-2A	M17 X 1.0-6g	.603 (15.32)	1.100 (27.94)	1.105 (28.07)	0.768 (19.51)
14	.8750-.067P-2L-TS-2A	M19 X 1.0-6g	.681 (17.30)	1.225 (31.12)	1.230 (31.24)	0.890 (22.61)
16	1.0000-.067P-2L-TS-2A	M22 X 1.0-6g	.782 (19.86)	1.350 (34.29)	1.355 (34.42)	1.015 (25.78)
18	1.1250-.067P-2L-TS-2A	M25 X 1.0-6g	.899 (22.83)	1.475 (37.47)	1.480 (37.59)	1.125 (28.58)
20	1.2500-.067P-2L-TS-2A	M28 X 1.0-6g	1.043 (26.49)	1.600 (40.64)	1.605 (40.77)	1.275 (32.39)
22	1.3750-.067P-2L-TS-2A	M31 X 1.0-6g	1.155 (29.34)	1.725 (43.82)	1.730 (43.94)	1.400 (35.56)
24	1.5000-.067P-2L-TS-2A	M34 X 1.0-6g	1.273 (32.33)	1.850 (46.99)	1.855 (47.12)	1.525 (38.73)

SERIES 806 GLASS-TO-METAL SEAL CONNECTORS