

Series 806 Mil-Aero Connectors

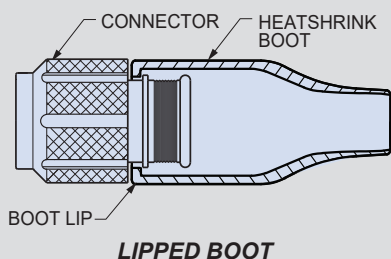
809*060 Thin Lip Environmental Shrink Boots



Protect Your Cable Harness with heat-shrinkable boots. These easy-to-use boots provide excellent electrical, mechanical and environmental protection. Heating the boot causes the boot to shrink onto the connector and cable. An adhesive lining bonds the boot to the connector and cable and fills small gaps for a complete seal. These lipped boots attach directly to Series 806 connectors with integral band platform.

Shrink boot installation guide and application instructions are available in the Series 77 Shrink Boot catalog or on the Glenair website.

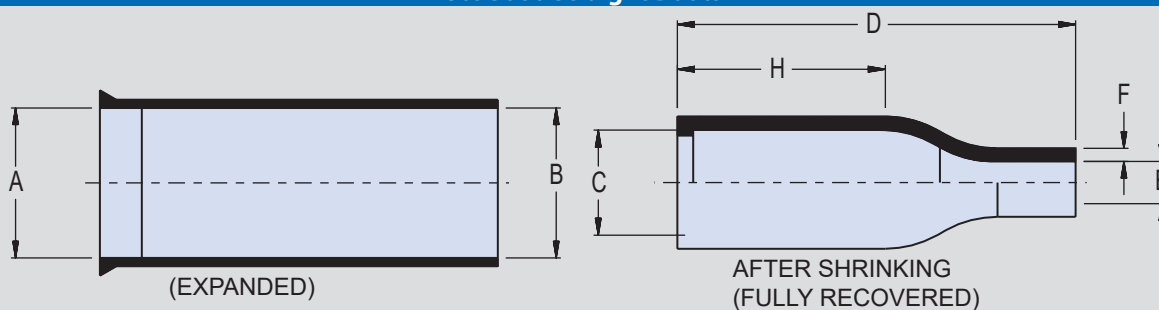
(www.glenair.com/environmental_shrink_boots/index.htm)



Boot Size to Shell Size Reference	
Part Number	Shell Size
809*060-1	7/8
809*060-2	9
809*060-3	10/11
809*060-4	12/14/16
809*060-5	18
809*060-6	20/22/24

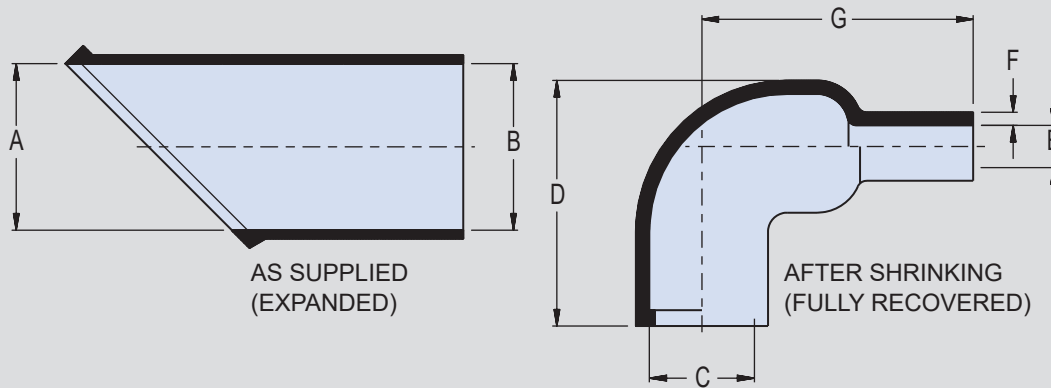
How To Order				
SAMPLE PART NUMBER		809S060	-3	HR
Product	809A060 = 90° boot 809B060 = 45° boot 809S060 = straight boot 809SL060 = straight boot, extended length			
	Boot Size (See Dimension Tables)	1 2 3 4 5 6 see boot size to shell size reference table.		
Material and Adhesive Code (material and adhesive information follows dimension tables)	Boot Material	No Adhesive	Pre-coated with Adhesive	
	Standard Type 1 Fluid-Resistant Elastomer	U	Hot Melt Polyamide (W1)	High Performance Epoxy (R)
		Low Smoke/Zero Halogen Type 2 Elastomer	HU	H

809S060 Straight Boots



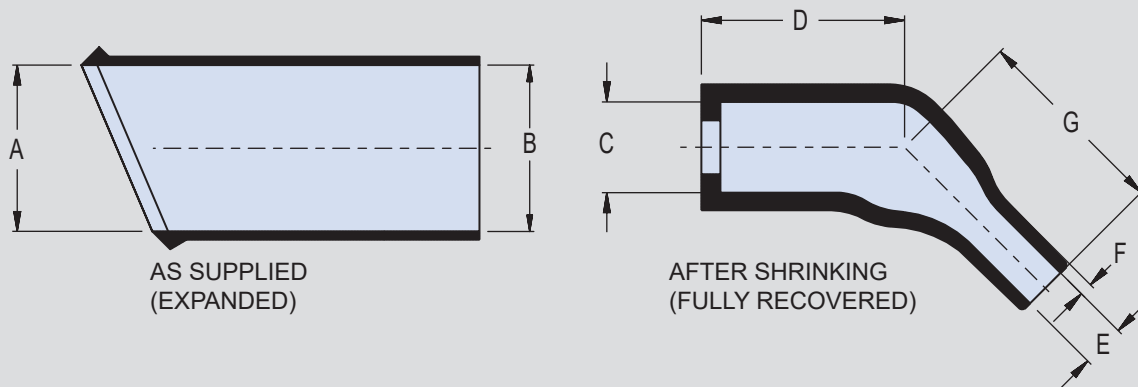
Boot Size	A Min.	B Min.	C Max.	D Ref.	E Max.	F Ref.	H Ref.	Cable Range	
								Maximum	Minimum
1	.390 (9.91)	.390 (9.91)	.260 (6.60)	1.370 (34.80)	.080 (2.03)	.030 (0.76)	.750 (19.05)	.230 (5.84)	.100 (2.54)
2	.669 (16.99)	.669 (16.99)	.300 (7.62)	1.500 (38.10)	.140 (3.56)	.032 (0.81)	.750 (19.05)	.500 (12.70)	.170 (4.32)
3	.945 (24.00)	.945 (24.00)	.390 (9.91)	1.500 (38.10)	.200 (5.08)	.035 (0.89)	.750 (19.05)	.800 (20.32)	.240 (6.10)
4	1.181 (30.00)	1.181 (30.00)	.550 (13.97)	2.170 (55.12)	.240 (6.10)	.039 (0.99)	1.180 (29.97)	1.020 (25.91)	.280 (7.11)
5	1.260 (32.00)	1.260 (32.00)	.710 (18.03)	2.640 (67.06)	.280 (7.11)	.039 (0.99)	1.300 (33.02)	1.120 (28.45)	.300 (7.62)
6	1.417 (35.99)	1.417 (35.99)	.900 (22.86)	3.150 (80.01)	.330 (8.38)	.047 (1.19)	1.570 (39.88)	1.200 (30.48)	.350 (8.89)

809A060 90° Boots



Boot Size	A Min.	B Min.	C Max.	D Ref.	E Max.	F Ref.	G Ref.	Cable Range	
								Maximum	Minimum
1	.390 (9.91)	.390 (9.91)	.260 (6.60)	.790 (20.07)	.095 (2.41)	.032 (0.81)	.750 (19.05)	.230 (5.84)	.100 (2.54)
2	.669 (16.99)	.669 (16.99)	.310 (7.87)	.790 (20.07)	.140 (3.56)	.032 (0.81)	.790 (20.07)	.500 (12.70)	.170 (4.32)
3	.945 (24.00)	.945 (24.00)	.390 (9.91)	.980 (24.89)	.200 (5.08)	.040 (1.02)	.980 (24.89)	.800 (20.32)	.240 (6.10)
4	1.181 (30.00)	1.181 (30.00)	.530 (13.46)	1.060 (26.92)	.220 (5.59)	.046 (1.17)	1.260 (32.00)	1.020 (25.91)	.270 (6.86)
5	1.260 (32.00)	1.260 (32.00)	.710 (18.03)	1.260 (32.00)	.280 (7.11)	.052 (1.32)	1.540 (39.12)	1.120 (28.45)	.300 (7.62)
6	1.417 (35.99)	1.417 (35.99)	.900 (22.86)	1.500 (38.10)	.330 (8.38)	.052 (1.32)	1.930 (49.02)	1.200 (30.48)	.350 (8.89)

809B060 45° Boots

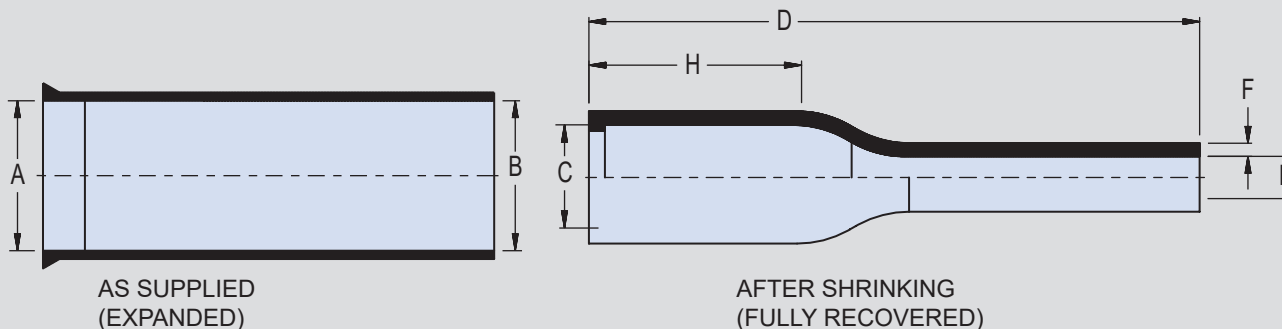


Boot Size	A Min.	B Min.	C Max.	D Ref.	E Max.	F Ref.	G Ref.	Cable Range	
								Maximum	Minimum
1	.390 (9.91)	.390 (9.91)	.260 (6.60)	.600 (15.24)	.080 (2.03)	.030 (0.76)	.560 (14.22)	.230 (5.84)	.100 (2.54)
2	.669 (16.99)	.669 (16.99)	.300 (7.62)	.640 (16.26)	.140 (3.56)	.035 (0.89)	.620 (15.75)	.500 (12.70)	.170 (4.32)
3	.945 (24.00)	.945 (24.00)	.390 (9.91)	.500 (12.70)	.160 (4.06)	.040 (1.02)	.750 (19.05)	.800 (20.32)	.240 (6.10)
4	1.181 (30.00)	1.181 (30.00)	.550 (13.97)	.748 (19.00)	.230 (5.84)	.043 (1.09)	1.180 (29.97)	1.020 (25.91)	.280 (7.11)
5	1.260 (32.00)	1.260 (32.00)	.710 (18.03)	.984 (24.99)	.280 (7.11)	.065 (1.65)	1.380 (35.05)	1.120 (28.45)	.300 (7.62)
6	1.417 (35.99)	1.417 (35.99)	.900 (22.86)	1.260 (32.00)	.330 (8.38)	.065 (1.65)	1.570 (39.88)	1.200 (30.48)	.350 (8.89)

Series 806 Mil-Aero Connectors

809-060 Thin Lip Environmental Shrink Boots

809SL060 Straight Long Tail Boots



Boot Size	A Min.	B Min.	C Max.	D Ref	E Max.	F Ref.	H Ref.	Cable Range	
								Maximum	Minimum
1	.390 (9.91)	.390 (9.91)	.280 (7.11)	2.500 (63.50)	.080 (2.03)	.045 (1.14)	.750 (19.05)	.230 (5.84)	.100 (2.54)
2	.669 (16.99)	.669 (16.99)	.310 (7.87)	2.500 (63.50)	.140 (3.56)	.045 (1.14)	.750 (19.05)	.500 (12.70)	.170 (4.32)
3	.945 (24.00)	.945 (24.00)	.390 (9.91)	2.500 (63.50)	.200 (5.08)	.045 (1.14)	.750 (19.05)	.800 (20.32)	.240 (6.10)
4	1.181 (30.00)	1.181 (30.00)	.550 (13.97)	3.000 (76.20)	.240 (6.10)	.045 (1.14)	1.180 (29.97)	1.020 (25.91)	.280 (7.11)

Boot Material Information

Type 1 High Performance Elastomer

Semi-rigid high performance boots combine excellent resistance to fuels, oils and solvents with superior performance at extreme temperatures. Material meets the requirements of VG95343 Type 6, BSG 198-5-DE, EN62329-102 and SAE AS5258 Type H. These boots are ideal for demanding applications such as military vehicles and petrochemical exploration.

Type 2 Zero halogen

Halogen-free polyolefin boots meet low smoke and toxicity requirements of shipboard, transit and aircraft systems. These Low Smoke/Zero Halogen (LSZH) boots meet the requirements of NAVSEA 5617649, VG95343 Part 29, BSG 198-5-DF, EN62329-101 and SAE AS5258 Type G. Resistance to oils, fuels and solvents.

Shrink Boot Typical Material Properties

Property	Type 1 High Performance Elastomer	Type 2 Zero Halogen Polyolefin
Flexibility	Semi-rigid	Semi-flexible
Operating Temperature Range	-75°C to +165°C	-40°C to +130°C
Shrink Temperature (min.)	135°C	135°C
Tensile Strength (psi)	1700	1100
Elongation (% min.)	400	250
Long Term Heat Aging	3000 hrs, 150°C	3000 hrs, 135°C
Heat Shock	4 hrs, 215°C	4 hrs, 215°C
Heat Aging	168 hrs, 160°C	168 hrs, 160°C
Dielectric Strength (V/mil)	300	380
Volume Resistivity (ohms-cm)	10 ¹³	10 ¹²
Water Absorption (%)	0.5	0.5
Flammability	Burn Time <15 sec	Burn Length <25mm
RoHS Compliant	Yes	Yes
Oxygen Index (% min.)	N/A	30
Temperature Index (OC)	N/A	250
Smoke Index (max.)	N/A	20
Toxicity Index (max.)	N/A	3
Lubricating Oil Resistance	Very Good	Good
Hydraulic Fluid Resistance	Very Good	Good
Aviation Fuel Resistance	Very Good	Good
Gasoline Resistance	Very Good	Fair
De-Icing Fluid Resistance	Excellent	Very Good
Automotive Diesel Resistance	Good	Fair

Pre-Coat Adhesive Properties

Attribute	W1 Standard Poly- amide Hot Melt Adhesive	R High Performance Epoxy Pre-coat
Continuous Operating Temp.	-55° to +125°C	-75° to +150°C
Resistance to Fuels, Oils & Fluids	Good	
Low Toxicity, Zero Halogen	Yes	
IEC 62329-2 Dynamic Shear, 23°C	300N	300N
IEC 62329-2 Dynamic Shear, 100°C	30N	110N
IEC 62329-2 Dynamic Shear, 150°C	(not rated)	30N
IEC 62329-2 Heat Shock, 4 hrs., 215°C	Peel adhesion > 60N/25mm Dynamic shear > 300N	
IEC 62329-2 Heat Aging, 168 hrs., 160°C	Peel adhesion > 60N/25mm Dynamic shear > 300N	
IEC 62329-2 Peel Adhesion	>60N/25mm	
IEC 62329-2 Fluid Resistance		
Lubricating Oil 0-156	24 hrs. immersion @ 70°C Dynamic shear > 150N	
Aircraft Grease G-354		
Hydraulic Fluid H-520		
Water		
Turbine Fuel F-34		