

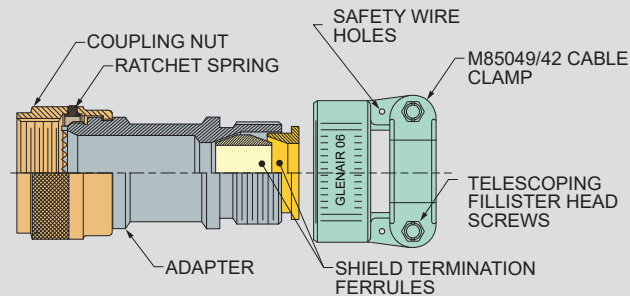
Series 806 Mil-Aero Connectors



380V*143 Metal EMI/RFI Full Radius Profile Backshell



EMI shielding. Self-locking. Straight, 45° or 90°. Non-environmental. 380-143 backshells fit Glenair Series 806 connectors. These spin coupling backshells have ground rings for cable braid shield termination. Heavy duty-saddle clamp with stainless steel telescoping screws. Meets requirements of AS85049 Category 3C medium duty. Aluminum or stainless steel.



Features

- EMI/RFI protected
- Self-locking spin coupling
- Telescoping clamp screws
- Non-environmental

Specifications

- Operating temperature: codes ME, MT and Z1: -65°C to +200°C codes ZR, NF: -65°C to +175°C
- Shell conductivity: aluminum versions: 2.5 milliohms max. Stainless steel: 5 milliohms max.
- Salt spray (corrosion) Code ME: 96 hours Code NF, ZR, MT, Z1: 1000 hours
- Vibration: SAE AS85049 Category 3C
- Shock: SAE AS85049 Category 3C

Construction

- Coupling nut, adapter, ferrules, clamps: see material/finish codes
- Anti-decoupling device: corrosion-resistant material
- Hardware: stainless steel, passivated

How To Order						
SAMPLE PART NUMBER	380VS143	ME	12	06	H	4
Product	380VS143 = EMI Backshell, Straight 380VM143 = EMI Backshell, 45° 380VN143 = EMI Backshell, 90°					
Material/ Finish	ME = Aluminum, Electroless Nickel MT = Aluminum, Ni/PTFE ZR = Aluminum, Black Zinc-Nickel NF = Aluminum, Olive Drab Cadmium Z1 = Stainless Steel, Passivated					
Shell Size	07 08 09 10 11 12 14 16 18 20 22 24					
Cable Clamp Size	See Table 1 for cable clamp sizes					
Strain Relief Clamp	H = Saddle bar clamp, heavy duty, with telescoping screws					
Backshell Length	Omit for 45° and 90° versions. Applicable to 380VS143 only. Length in ½ inch increments: 3 = 1½ inches (min. for Style 1 shown at right) 4 = 2 inches (min. for Style 2 shown on following page) 5 = 2½ inches 6 = 3 inches					

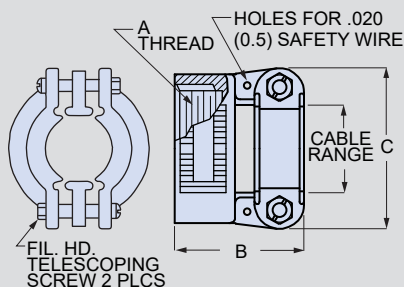
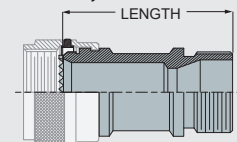


Table 1 Cable Clamp Size

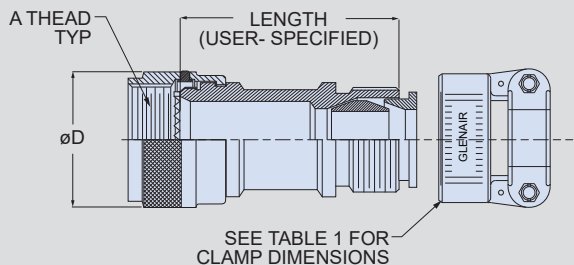
Clamp Size	Cable Range				A Thread Class 2B	B Max.		C Max.	
	Min. In.	Max. mm.	Min. In.	Max. mm.		In.	mm.	In.	mm.
04	.125	3.2	.312	7.9	.625-24UNEF	1.301	33.04	.957	24.3
06	.250	6.4	.437	11.1	.750-20UNEF	1.301	33.04	1.145	29.1
08	.312	7.9	.562	14.3	.875-20UNEF	1.301	33.04	1.332	33.8
10	.350	8.9	.625	15.9	1.000-20UNEF	1.301	33.04	1.332	33.8
12	.500	12.7	.750	19.1	1.1875-18UNEF	1.332	33.83	1.551	39.4
16	.625	15.9	.937	23.8	1.4375-18UNEF	1.426	36.22	1.770	45.0
20	.875	22.2	1.250	31.8	1.750-18UNS	1.613	40.97	2.113	53.7
24	1.000	25.4	1.375	34.9	2.000-18UNS	1.645	41.78	2.363	60.0

Series 806 Mil-Aero Connectors

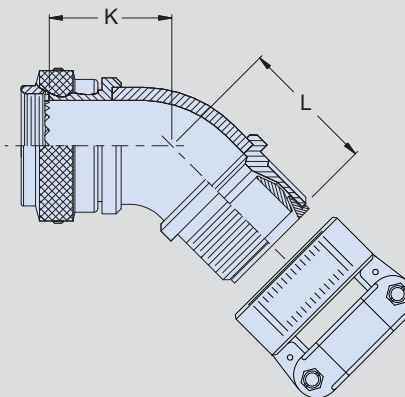


380V*143 Metal EMI/RFI Full Radius Profile Backshell

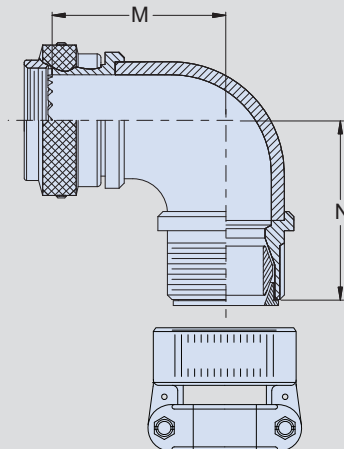
380VS143
Straight Exit



380VM143
45° Exit



380VN143
90° Exit

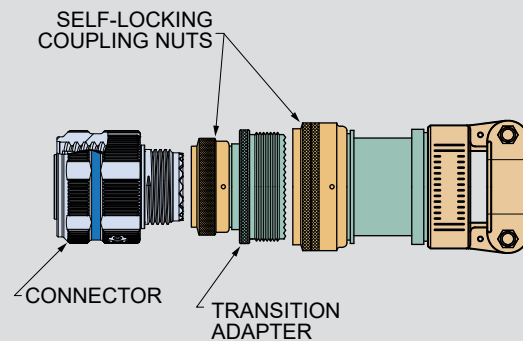


Shell Size	A ISO Metric Thread	øD Max.	K Max. ⁽¹⁾	L Max.	M Max. ⁽¹⁾	N Max.	Max. Clamp Size ⁽¹⁾	Max. Cable Dia. ⁽¹⁾
07	M8 x 1.0-6H	.58 (0.02)	.790 (0.03)	1.070 (0.04)	.940 (0.04)	1.230 (0.05)	03 (0.12)	.250 (0.01)
08	M10 x 1.0-6H	.64 (0.03)	.790 (0.03)	1.070 (0.04)	.940 (0.04)	1.230 (0.05)	03 (0.12)	.250 (0.01)
09	M12 x 1.0-6H	.74 (0.03)	.790 (0.03)	1.070 (0.04)	.940 (0.04)	1.230 (0.05)	04 (0.16)	.312 (0.01)
10	M14 x 1.0-6H	.80 (0.03)	.790 (0.03)	1.130 (0.04)	.970 (0.04)	1.320 (0.05)	04 (0.16)	.312 (0.01)
11	M15 x 1.0-6H	.84 (0.03)	.790 (0.03)	1.130 (0.04)	.970 (0.04)	1.320 (0.05)	06 (0.24)	.437 (0.02)
12	M17 x 1.0-6H	.92 (0.04)	.830 (0.03)	1.210 (0.05)	1.040 (0.04)	1.420 (0.06)	06 (0.24)	.437 (0.02)
14	M19 x 1.0-6H	1.02 (0.04)	.830 (0.03)	1.210 (0.05)	1.040 (0.04)	1.420 (0.06)	08 (0.31)	.562 (0.02)
16	M22 x 1.0-6H	1.16 (0.05)	.840 (0.03)	1.280 (0.05)	1.080 (0.04)	1.520 (0.06)	10 (0.39)	.625 (0.02)
18	M25 x 1.0-6H	1.26 (0.05)	.890 (0.04)	1.360 (0.05)	1.140 (0.04)	1.620 (0.06)	12 (0.47)	.750 (0.03)
20	M28 x 1.0-6H	1.40 (0.06)	.920 (0.04)	1.430 (0.06)	1.210 (0.05)	1.710 (0.07)	16 (0.63)	.937 (0.04)
22	M31 x 1.0-6H	1.52 (0.06)	.950 (0.04)	1.490 (0.06)	1.280 (0.05)	1.810 (0.07)	16 (0.63)	.937 (0.04)
24	M34 x 1.0-6H	1.64 (0.06)	.980 (0.04)	1.550 (0.06)	1.330 (0.05)	1.910 (0.08)	16 (0.63)	.937 (0.04)

(1) If the maximum clamp size is exceeded, the backshell will be a "Style 2" with a transition adapter as shown below. The K and M dimensions will be increased by 1.00 inch (25.4 mm.) maximum.

Style 2 Backshells for Large Diameter Cables

If the cable clamp is larger than the maximum clamp size shown in the table above, the backshell will be supplied with a **transition adapter** and a second coupling nut. This type of backshell is called a **Style 2**. The large diameter of the Style 2 backshell allows it to slide over the cable until the connector is wired and ready for backshell installation. On straight exit backshells, the transition adapter does not affect the length. On 45° and 90° versions the transition adapter adds 1.00 inch (25.4mm) maximum to the backshell length.



Style 2 Backshell