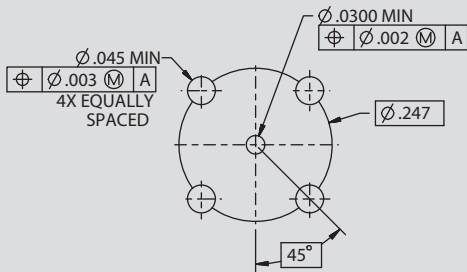


MICRO MINIATURE CIRCULAR Series 806 Mil-Aero Connectors

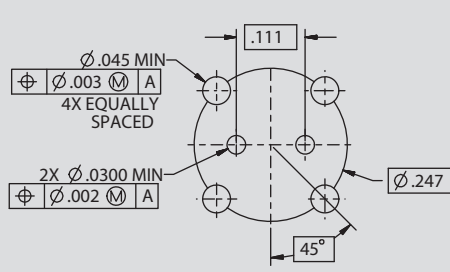


PC Board Footprint for all Size 8, 12, and 16 RF & High-Speed Contacts

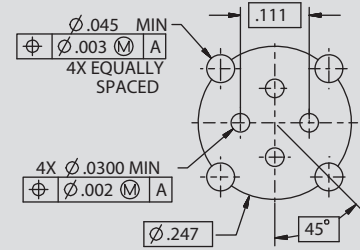
Recommended PCB Layouts are shown for the connector mounting size of PC board. Contact identification numbers are for pin connectors. Socket identification numbers are reversed.



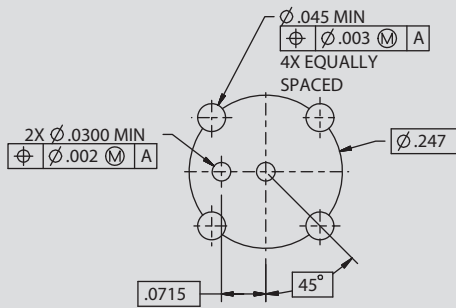
#8 COAX



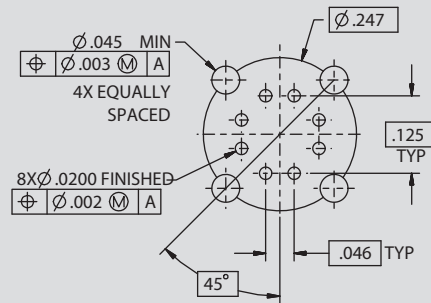
#8 DIFFERENTIAL TWINAX



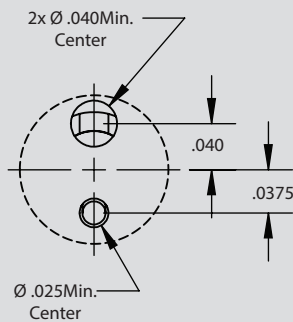
#8 QUADRAX



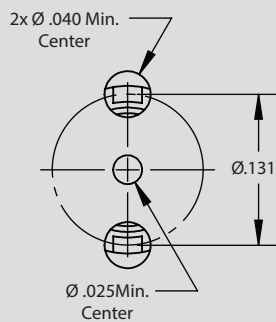
#8 TRIAX / CONCENTRIC TWINAX



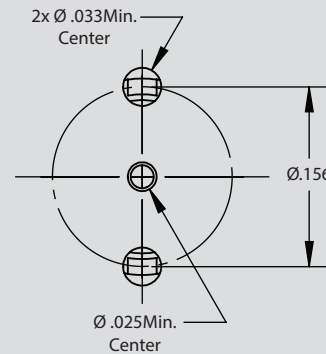
#8 EL OCHITO



50 / 75 OHM
#16 / COAX



50 OHM
#12 / COAX



75 OHM
#12 / COAX

PIN INTERFACE SHOWN
SOCKET INTERFACE OPPOSITE

MICRO MINIATURE CIRCULAR

Series 806

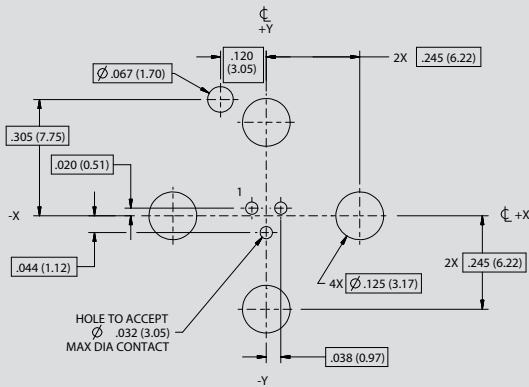
Mil-Aero Connectors

Size 22HD PC Board Layouts

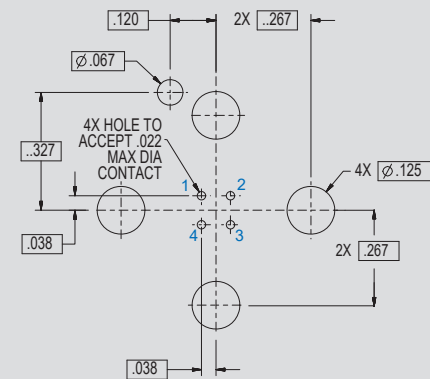


Recommended PCB Layouts are shown for the connector mounting size of PC board. Contact identification numbers are for pin connectors. Socket identification numbers are reversed.

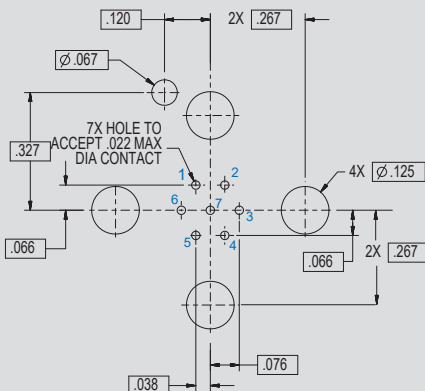
Arrangement No. 7-3
3x #22HD Contacts



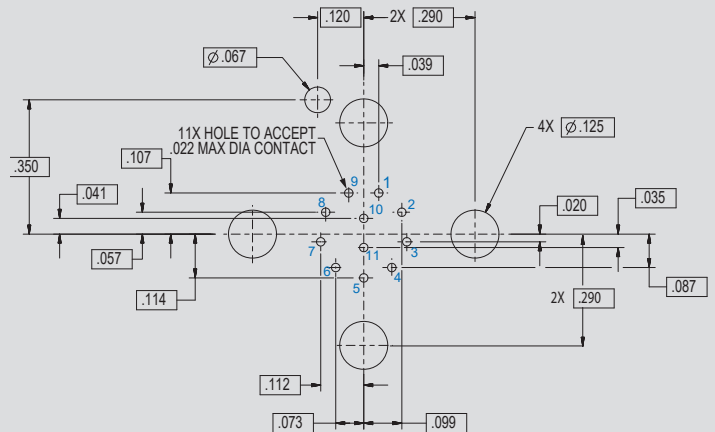
Arrangement No. 8-4
4x #22HD Contacts



Arrangement No. 8-7
7x #22HD Contacts



Arrangement No. 9-11
11x #22HD Contacts

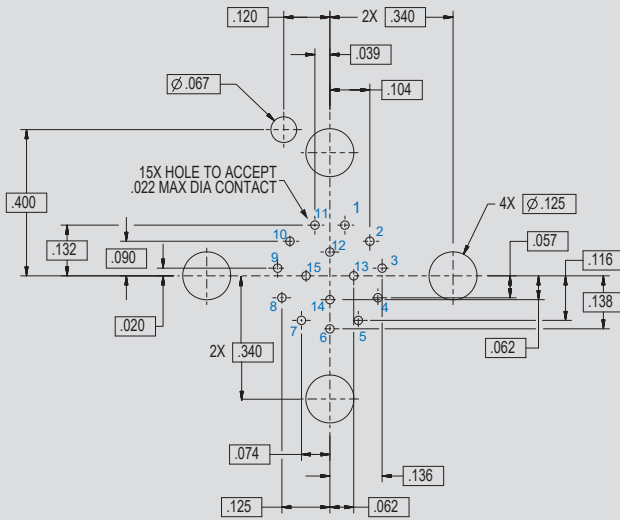


MICRO MINIATURE CIRCULAR
Series 806
Mil-Aero Connectors
 Size 22HD PCB footprints

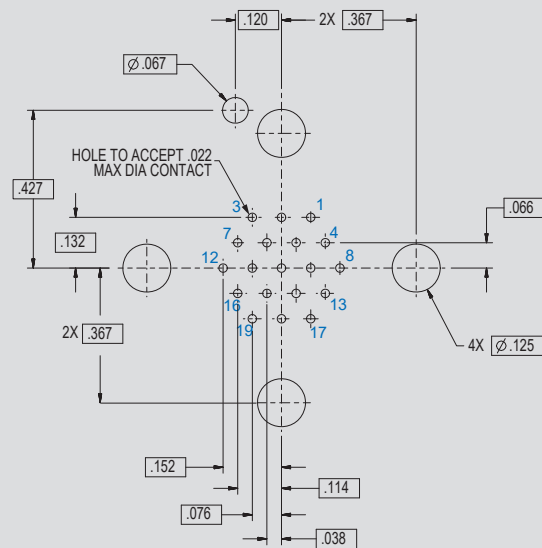


Recommended PCB Layouts are shown for the connector mounting size of PC board. Contact identification numbers are for pin connectors. Socket identification numbers are reversed.

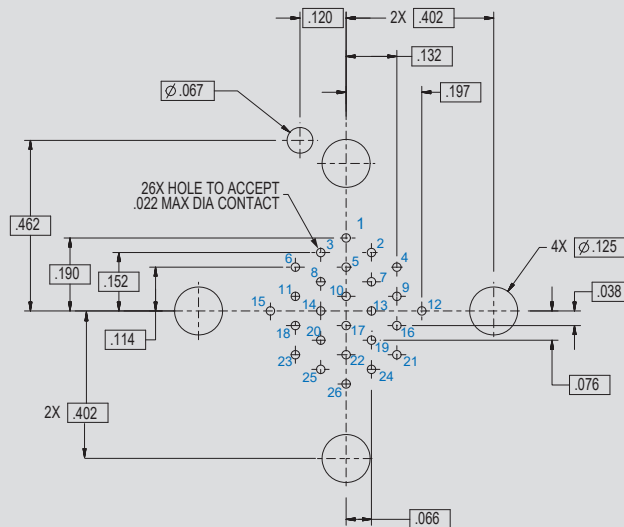
Arrangement No. 10-15
 15x #22HD Contacts



Arrangement No. 11-19
 19x #22HD Contacts



Arrangement No. 12-26
 26x #22HD Contacts



MICRO MINIATURE CIRCULAR

Series 806

Mil-Aero Connectors

Size 22HD PCB footprints

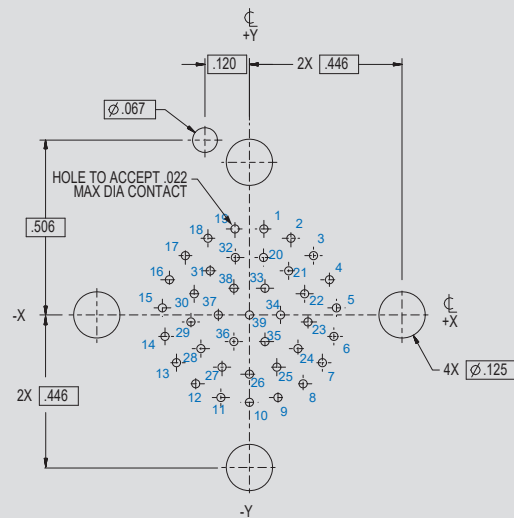


Recommended PCB Layouts are shown for the connector mounting size of PC board. Contact identification numbers are for pin connectors. Socket identification numbers are reversed.

Arrangement No. 14-39

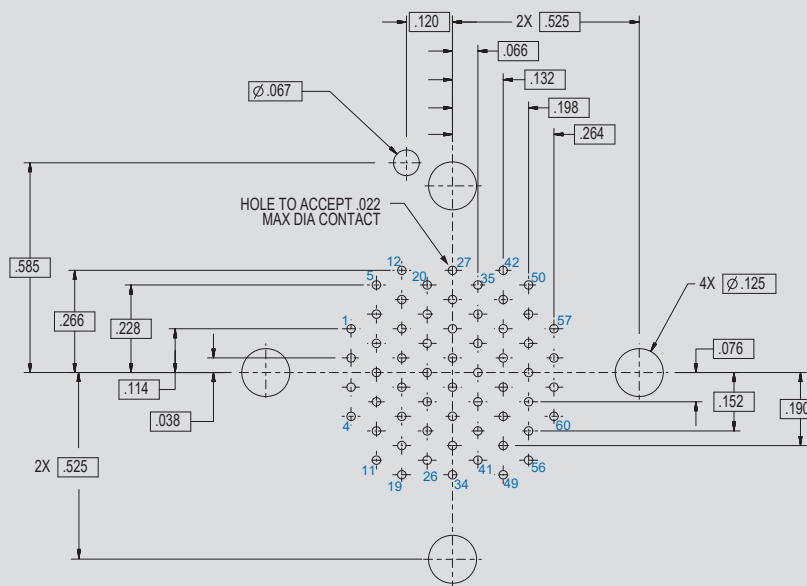
39x #22HD Contacts

Contact Position ID	Location		Contact Position ID	Location	
	X Axis	Y Axis		X Axis	Y Axis
1	.039	.232	21	.106	.119
2	.112	.207	22	.149	.057
3	.173	.160	23	.158	-.019
4	.216	.095	24	.131	-.091
5	.235	.019	25	.074	-.141
6	.228	-.058	26	.000	-.160
7	.197	-.129	27	-.074	-.141
8	.145	-.186	28	-.131	-.091
9	.077	-.223	29	-.158	-.019
10	.000	-.236	30	-.149	.057
11	-.077	-.223	31	-.106	.119
12	-.145	-.186	32	-.038	.155
13	-.197	-.129	33	.042	.072
14	-.228	-.058	34	.084	.000
15	-.235	.019	35	.042	-.072
16	-.216	.095	36	-.042	-.072
17	-.173	.160	37	-.084	.000
18	-.112	.207	38	-.042	.072
19	-.039	.232	39	.000	.000
20	.038	.155			



Arrangement No. 16-60

60x #22HD Contacts

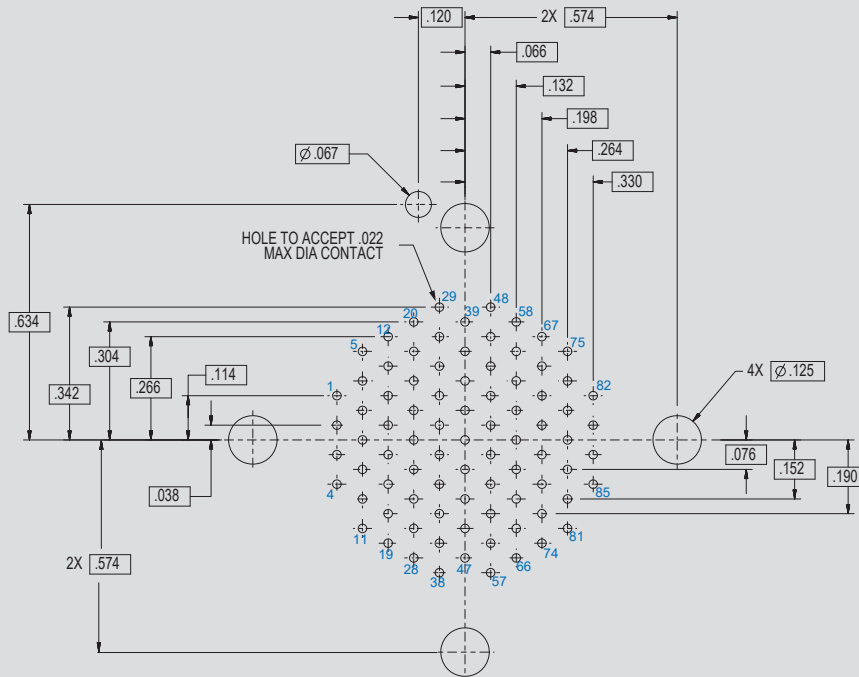


MICRO MINIATURE CIRCULAR
Series 806
Mil-Aero Connectors
 Size 22HD PCB footprints



Recommended PCB Layouts are shown for the connector mounting size of PC board. Contact identification numbers are for pin connectors. Socket identification numbers are reversed.

Arrangement No. 18-85
 85x #22HD Contacts

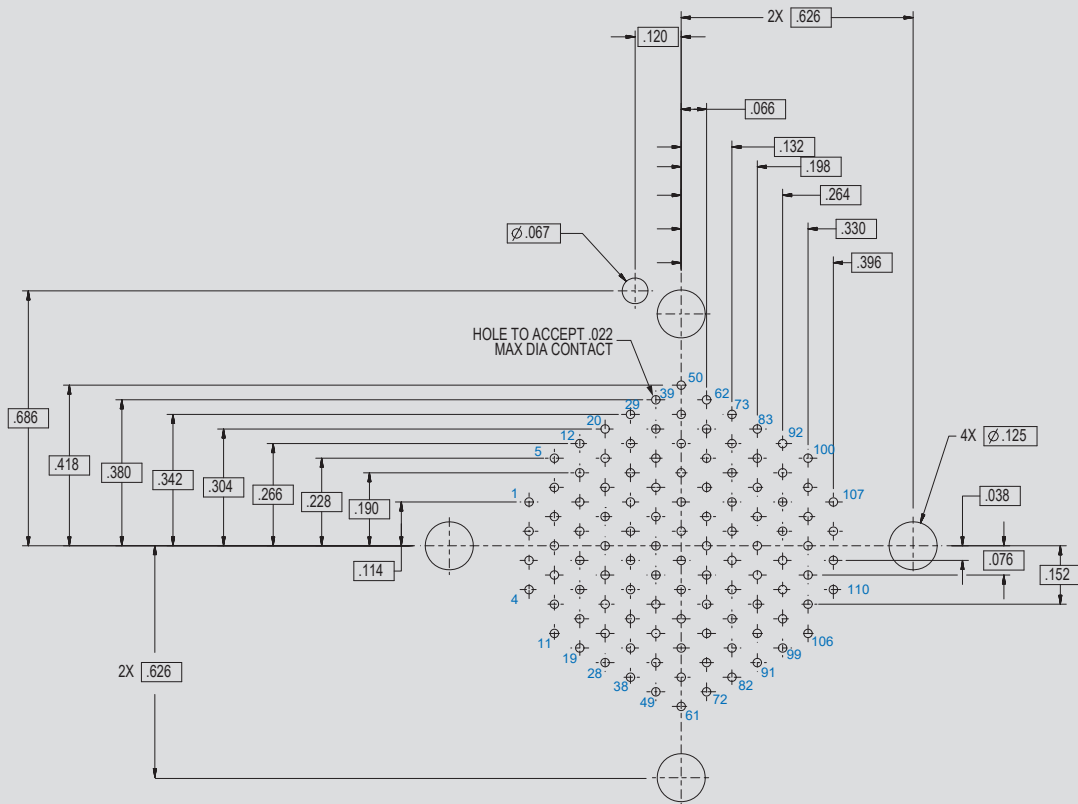


MICRO MINIATURE CIRCULAR
Series 806
Mil-Aero Connectors
 Size 22HD PCB footprints



Recommended PCB Layouts are shown for the connector mounting size of PC board. Contact identification numbers are for pin connectors. Socket identification numbers are reversed.

Arrangement No. 20-110
 110x #22HD Contacts

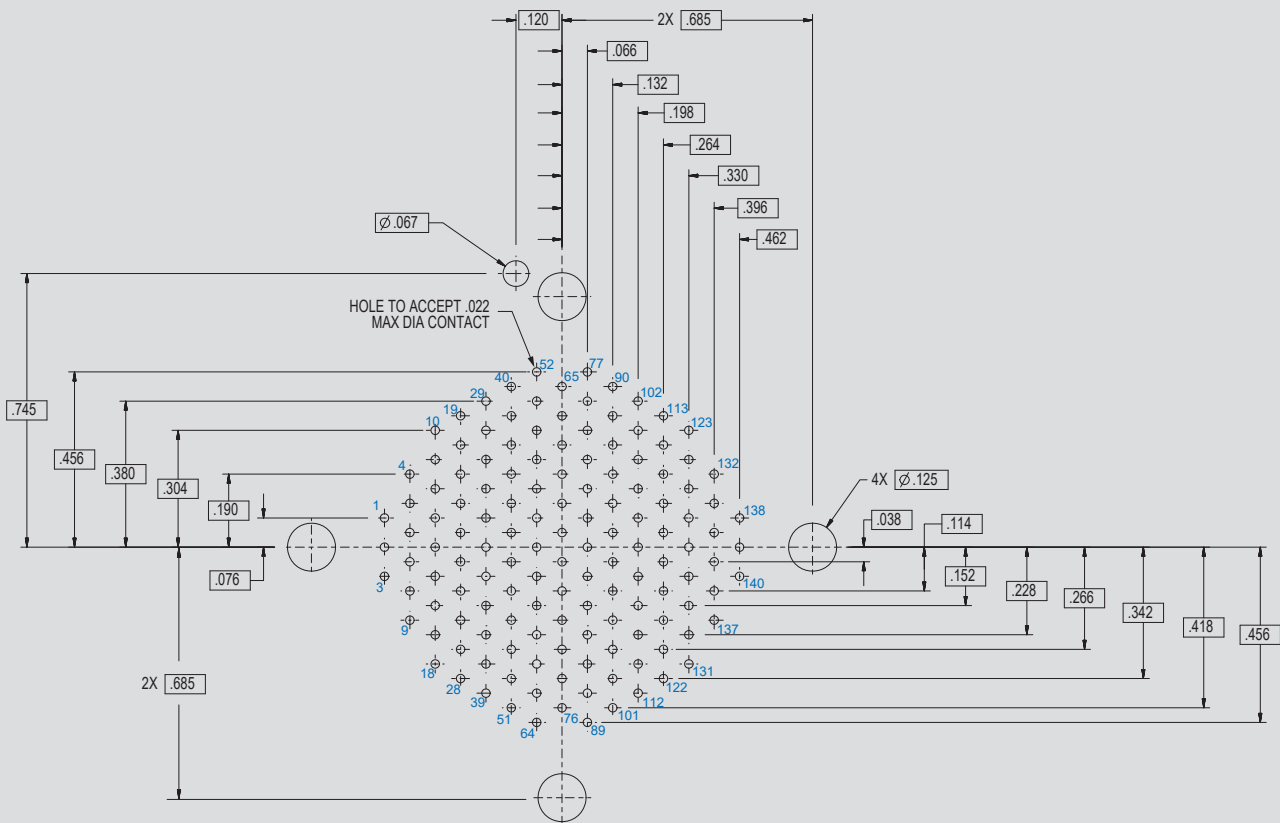


MICRO MINIATURE CIRCULAR
Series 806
Mil-Aero Connectors
 Size 22HD PCB footprints



Recommended PCB Layouts are shown for the connector mounting size of PC board. Contact identification numbers are for pin connectors. Socket identification numbers are reversed.

Arrangement No. 22-140
 140x #22HD Contacts

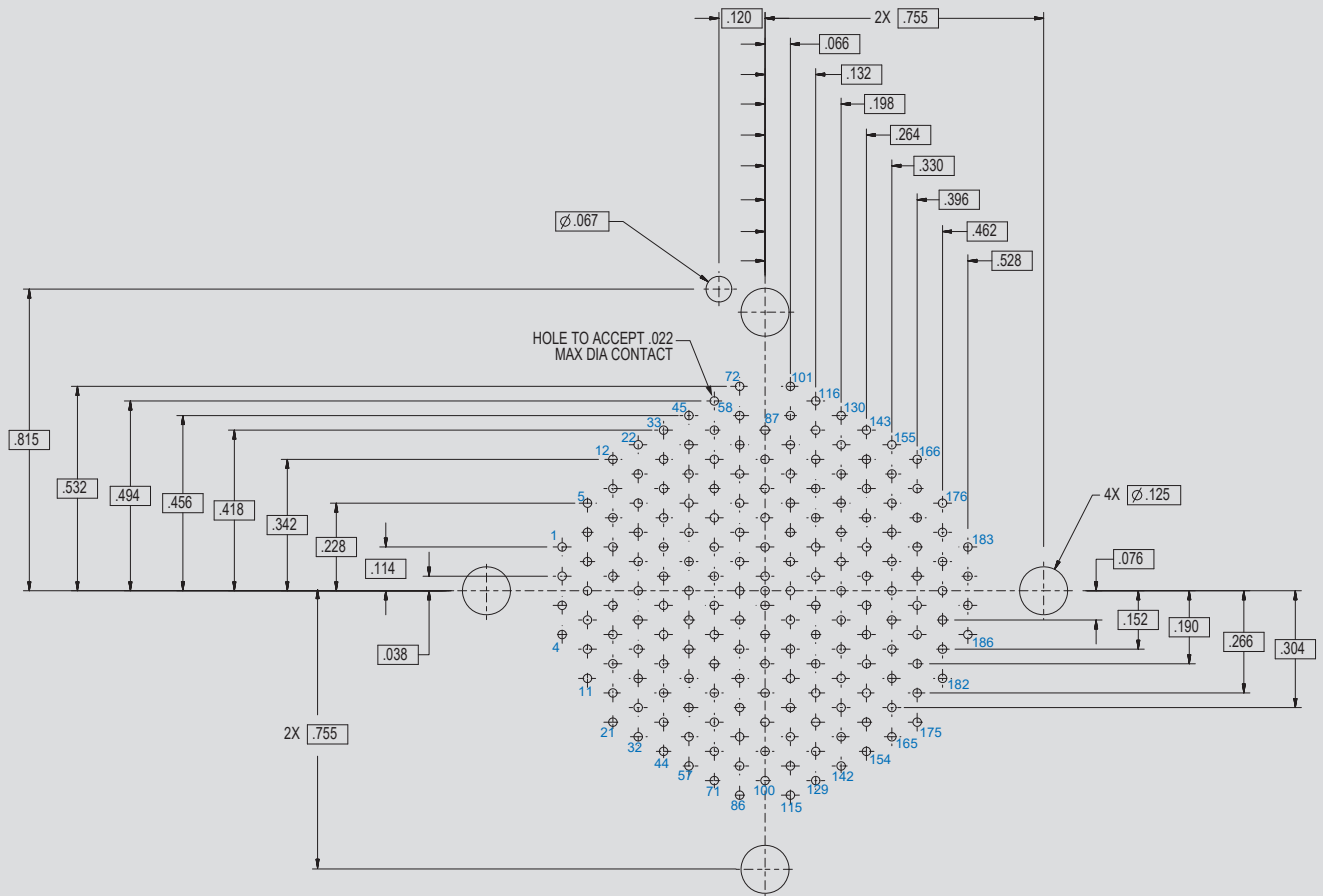


MICRO MINIATURE CIRCULAR
Series 806
Mil-Aero Connectors
 Size 22HD PCB footprints



Recommended PCB Layouts are shown for the connector mounting size of PC board. Contact identification numbers are for pin connectors. Socket identification numbers are reversed.

Arrangement No. 24-186
 186x #22HD Contacts

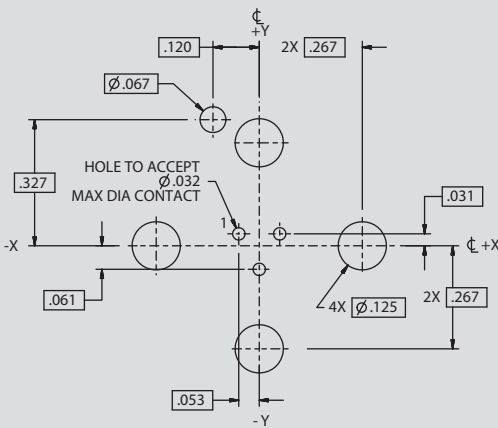


MICRO MINIATURE CIRCULAR
Series 806
Mil-Aero Connectors
 Size 20HD PCB footprints

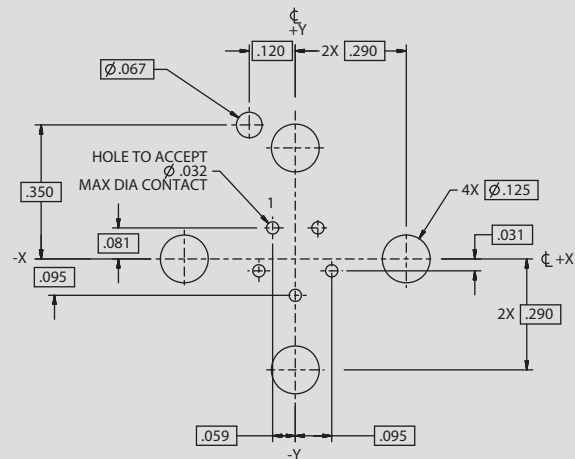


Recommended PCB Layouts are shown for the connector mounting size of PC board. Contact identification numbers are for pin connectors. Socket identification numbers are reversed.

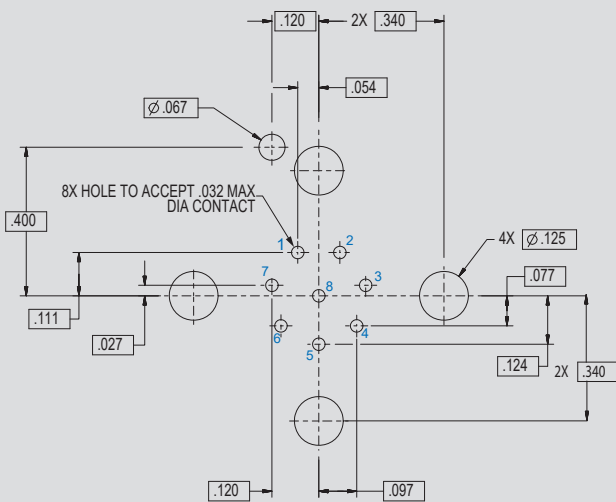
Arrangement No. 8-3
 3x #20HD Contacts



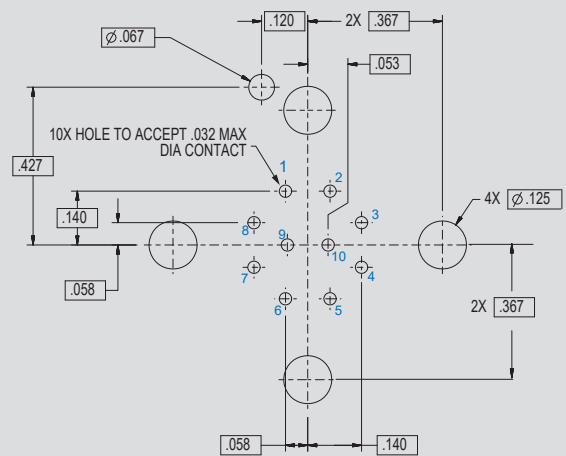
Arrangement No. 9-5
 5x #20HD Contacts



Arrangement No. 10-8
 8x #20HD Contacts



Arrangement No. 11-10
 10x #20HD Contacts

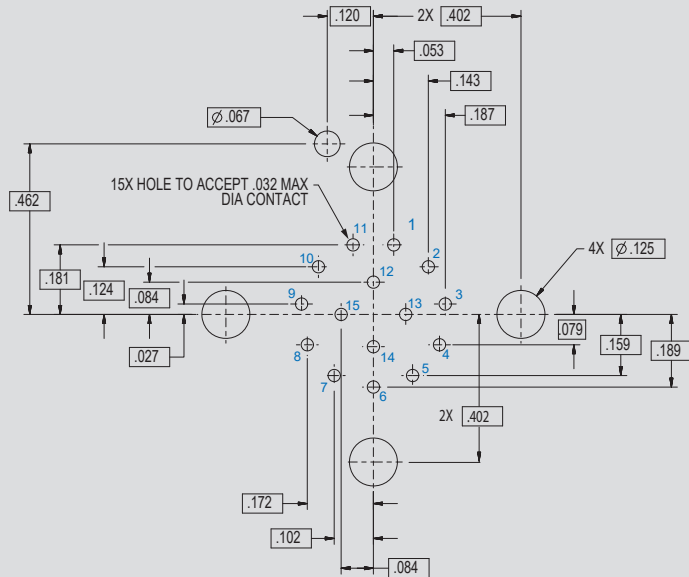


MICRO MINIATURE CIRCULAR
Series 806
Mil-Aero Connectors
 Size 20HD PCB footprints

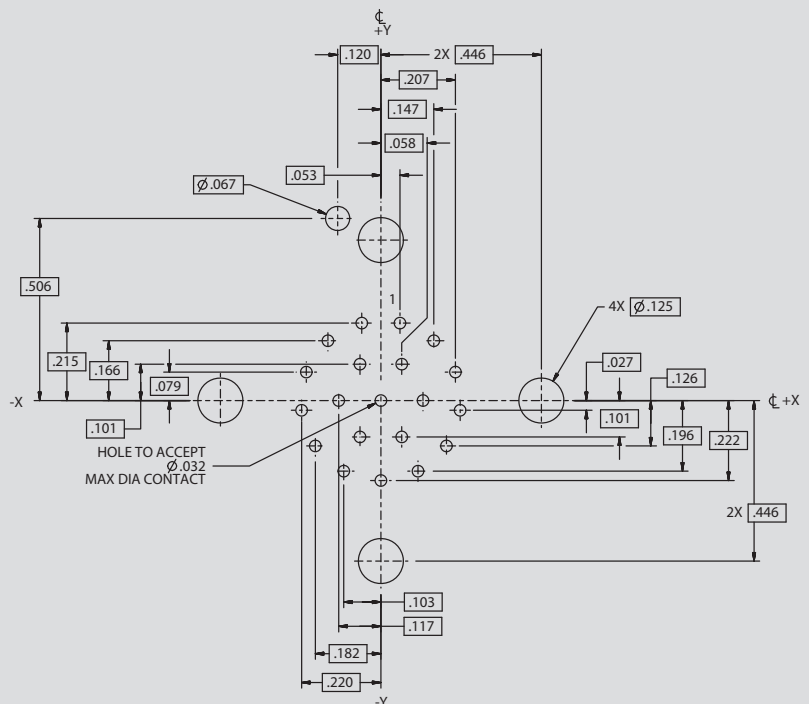


Recommended PCB Layouts are shown for the connector mounting size of PC board. Contact identification numbers are for pin connectors. Socket identification numbers are reversed.

Arrangement No. 12-15
 15x #20HD Contacts



Arrangement No. 14-20
 4x #20HD Contacts



MICRO MINIATURE CIRCULAR
Series 806
Mil-Aero Connectors
 Size 20HD PCB footprints

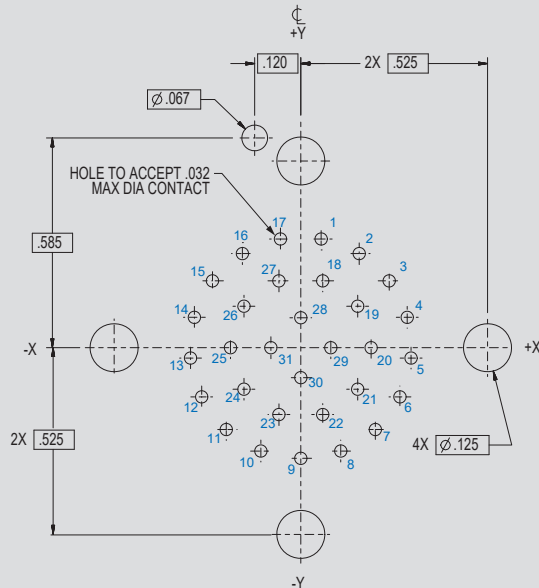


Recommended PCB Layouts are shown for the connector mounting size of PC board. Contact identification numbers are for pin connectors. Socket identification numbers are reversed.

Arrangement No. 16-31

31 #20HD Contacts

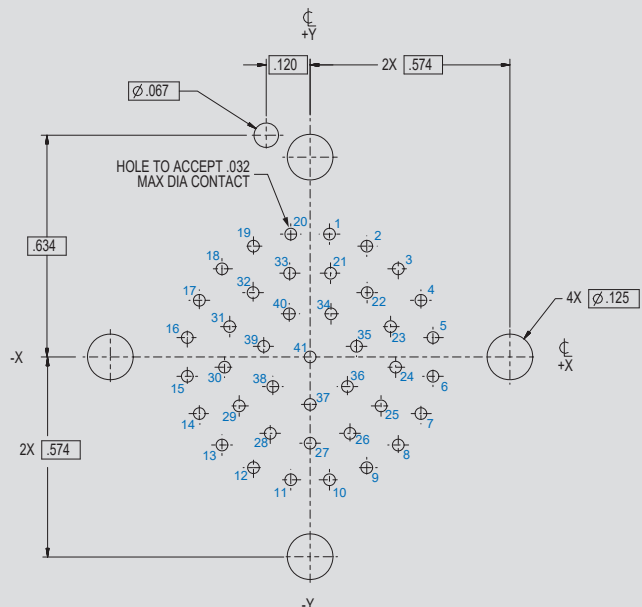
Contact Position ID	Location		Contact Position ID	Location	
	X Axis	Y Axis		X Axis	Y Axis
1	.053	.283	17	-.053	.283
2	.152	.245	18	.057	.174
3	.230	.174	19	.148	.108
4	.277	.079	20	.183	.000
5	.287	-.027	21	.148	-.108
6	.258	-.128	22	.057	-.174
7	.194	-.213	23	-.057	-.174
8	.104	-.269	24	-.148	-.108
9	.000	-.288	25	-.183	.000
10	-.104	-.269	26	-.148	.108
11	-.194	-.213	27	-.057	.174
12	-.258	-.128	28	.000	.078
13	-.287	-.027	29	.078	.000
14	-.277	.079	30	.000	-.078
15	-.230	.174	31	-.078	.000
16	-.152	.245			



Arrangement No. 18-41

41 #20HD Contacts

Contact Position ID	Location		Contact Position ID	Location	
	X Axis	Y Axis		X Axis	Y Axis
1	.053	.336	22	.156	.176
2	.155	.303	23	.220	.083
3	.241	.241	24	.234	-.028
4	.303	.155	25	.194	-.134
5	.336	.053	26	.109	-.209
6	.336	-.053	27	.000	-.236
7	-.303	.155	28	-.109	-.209
8	-.241	.241	29	-.194	-.134
9	-.155	.303	30	-.234	-.028
10	.053	-.336	31	-.220	.083
11	-.053	-.336	32	-.156	.176
12	-.155	-.303	33	-.056	.229
13	-.241	-.241	34	.057	.118
14	-.303	-.155	35	.127	.029
15	-.336	-.053	36	.102	-.081
16	-.336	.053	37	.000	-.130
17	-.303	.155	38	-.102	-.081
18	-.241	.241	39	-.127	.029
19	-.155	.303	40	-.057	.118
20	-.053	.336	41	.000	.000
21	.056	.229			



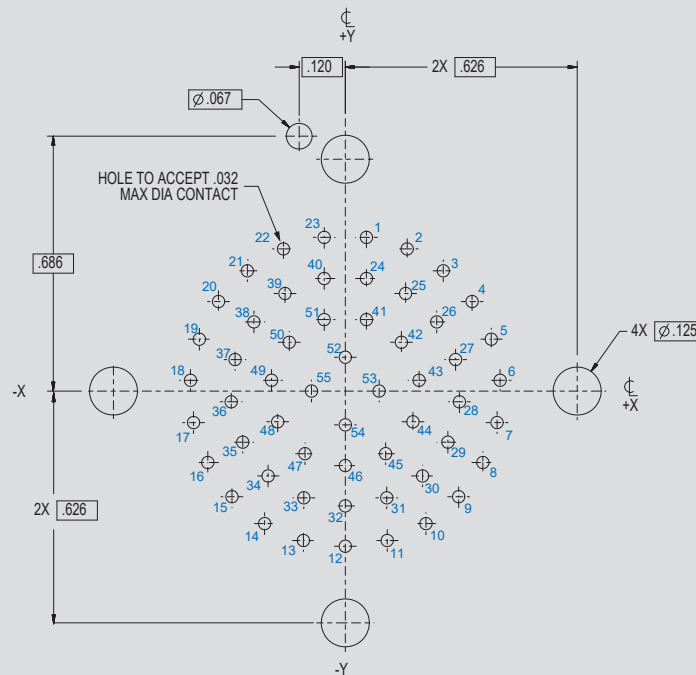
APPENDIX

MICRO MINIATURE CIRCULAR
Series 806
Mil-Aero Connectors
 Size 20HD PCB footprints



Recommended PCB Layouts are shown for the connector mounting size of PC board. Contact identification numbers are for pin connectors. Socket identification numbers are reversed.

Arrangement No. 20-55
 55 #20HD Contacts



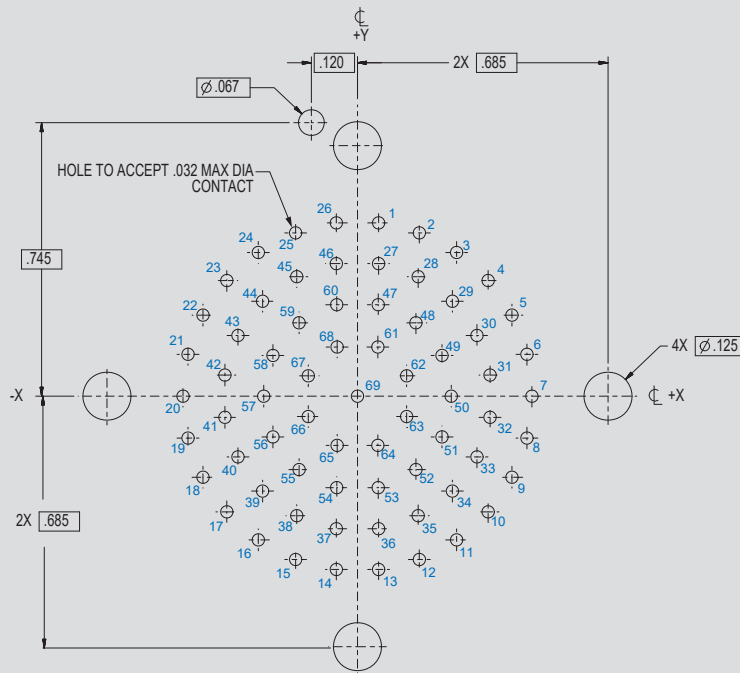
Contact Pos. ID	Location		Contact Pos. ID	Location		Contact Pos. ID	Location	
	X Axis	Y Axis		X Axis	Y Axis		X Axis	Y Axis
1	.055	.400	20	-.330	.233	39	-.157	.254
2	.161	.370	21	-.255	.313	40	-.055	.293
3	.255	.313	22	-.161	.370	41	.055	.186
4	.330	.233	23	-.055	.400	42	.146	.127
5	.380	.135	24	.055	.293	43	.192	.028
6	.403	.028	25	.157	.254	44	.176	-.080
7	.395	-.082	26	.238	.180	45	.105	-.163
8	.358	-.186	27	.287	.082	46	.000	-.194
9	.295	-.275	28	.297	-.028	47	-.105	-.163
10	.210	-.345	29	.267	-.133	48	-.176	-.080
11	.109	-.389	30	.201	-.221	49	-.192	.028
12	.000	-.404	31	.108	-.278	50	-.146	.127
13	-.109	-.389	32	.000	-.299	51	-.055	.186
14	-.210	-.345	33	-.108	-.278	52	.000	.088
15	-.295	-.275	34	-.201	-.221	53	.088	.000
16	-.358	-.186	35	-.267	-.133	54	.000	-.088
17	-.395	-.082	36	-.297	-.028	55	-.088	.000
18	-.403	.028	37	-.287	.082			
19	-.380	.135	38	-.238	.180			

MICRO MINIATURE CIRCULAR
Series 806
Mil-Aero Connectors
 Size 20HD PCB footprints



Recommended PCB Layouts are shown for the connector mounting size of PC board. Contact identification numbers are for pin connectors. Socket identification numbers are reversed.

Arrangement No. 22-69
 69 #20HD Contacts



Contact ID	Location		Contact Position ID	Location		Contact Position ID	Location		Contact Position ID	Location	
	X Axis	Y Axis		X Axis	Y Axis		X Axis	Y Axis		X Axis	Y Axis
1	.055	.451	19	-.441	-.109	37	-.055	-.345	55	-.152	-.191
2	.161	.425	20	-.454	.000	38	-.158	-.311	56	-.220	-.106
3	.258	.374	21	-.441	.109	39	-.247	-.247	57	-.244	.000
4	.340	.301	22	-.402	.211	40	-.311	-.158	58	-.220	.106
5	.402	.211	23	-.340	.301	41	-.345	-.055	59	-.152	.191
6	.441	.109	24	-.258	.374	42	-.345	.055	60	-.054	.238
7	.454	.000	25	-.161	.425	43	-.311	.158	61	.053	.128
8	.441	-.109	26	-.055	.451	44	-.247	.247	62	.128	.053
9	.402	-.211	27	.055	.345	45	-.158	.311	63	.128	-.053
10	.340	-.301	28	.158	.311	46	-.055	.345	64	.053	-.128
11	.258	-.374	29	.247	.247	47	.054	.238	65	-.053	-.128
12	.161	-.425	30	.311	.158	48	.152	.191	66	-.128	-.053
13	.055	-.451	31	.345	.055	49	.220	.106	67	-.128	.053
14	-.055	-.451	32	.345	-.055	50	.244	.000	68	-.053	.128
15	-.161	-.425	33	.311	-.158	51	.220	-.106	69	.000	.000
16	-.258	-.374	34	.247	-.247	52	.152	-.191			
17	-.340	-.301	35	.158	-.311	53	.054	-.238			
18	-.402	-.211	36	.055	-.345	54	-.054	-.238			

APPENDIX

MICRO MINIATURE CIRCULAR

Series 806

Mil-Aero Connectors

Size 20HD PCB footprints

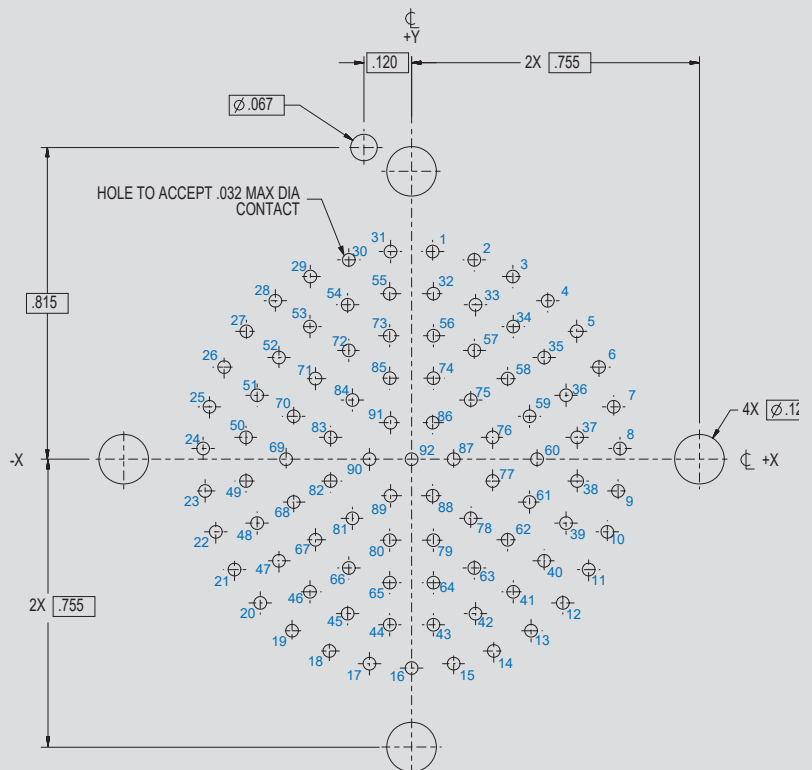


Recommended PCB Layouts are shown for the connector mounting size of PC board. Contact identification numbers are for pin connectors. Socket identification numbers are reversed.

Arrangement No. 24-92

92 #20HD Contacts

Contact Position ID	Location		Contact Position ID	Location	
	X Axis	Y Axis		X Axis	Y Axis
1	.053	.523	47	-.334	-.256
2	.158	.502	48	-.389	-.161
3	.255	.460	49	-.417	-.055
4	.343	.399	50	-.417	.055
5	.416	.322	51	-.389	.161
6	.472	.232	52	-.334	.256
7	.509	.132	53	-.256	.334
8	.525	.027	54	-.161	.389
9	.520	-.080	55	-.055	.417
10	.493	-.183	56	.055	.311
11	.446	-.278	57	.158	.274
12	.381	-.362	58	.242	.203
13	.301	-.432	59	.297	.108
14	.207	-.483	60	.316	.000
15	.106	-.515	61	.297	-.108
16	.000	-.526	62	.242	-.203
17	-.106	-.515	63	.158	-.274
18	-.207	-.483	64	.055	-.311
19	-.301	-.432	65	-.055	-.311
20	-.381	-.362	66	-.158	-.274
21	-.446	-.278	67	-.242	-.203
22	-.493	-.183	68	-.297	-.108
23	-.520	-.080	69	-.316	.000
24	-.525	.027	70	-.297	.108
25	-.509	.132	71	-.242	.203
26	-.472	.232	72	-.158	.274
27	-.416	.322	73	-.055	.311
28	-.343	.399	74	.055	.204
29	-.255	.460	75	.149	.149
30	-.158	.502	76	.204	.055
31	-.053	.523	77	.204	-.055
32	.055	.417	78	.149	-.149
33	.161	.389	79	.055	-.204
34	.256	.334	80	-.055	-.204
35	.334	.256	81	-.149	-.149
36	.389	.161	82	-.204	-.055
37	.417	.055	83	-.204	.055
38	.417	-.055	84	-.149	.149
39	.389	-.161	85	-.055	.204
40	.334	-.256	86	.053	.092
41	.256	-.334	87	.106	.000
42	.161	-.389	88	.053	-.092
43	.055	-.417	89	-.053	-.092
44	-.055	-.417	90	-.106	.000
45	-.161	-.389	91	-.053	.092
46	-.256	-.334	92	.000	.000

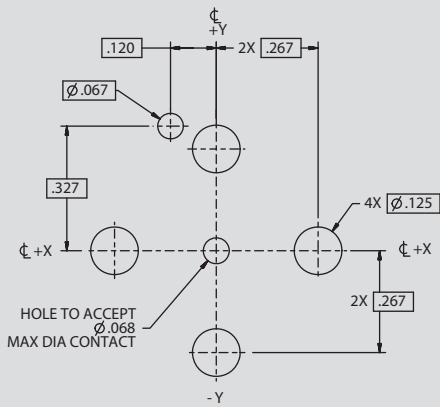


MICRO MINIATURE CIRCULAR
Series 806
Mil-Aero Connectors
Size 16 PCB footprints

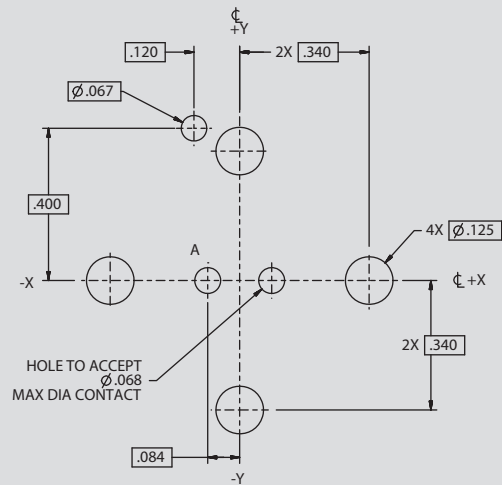


Recommended PCB Layouts are shown for the connector mounting size of PC board. Contact identification numbers are for pin connectors. Socket identification numbers are reversed. See page 159 for size 16 coax PC tail footprints.

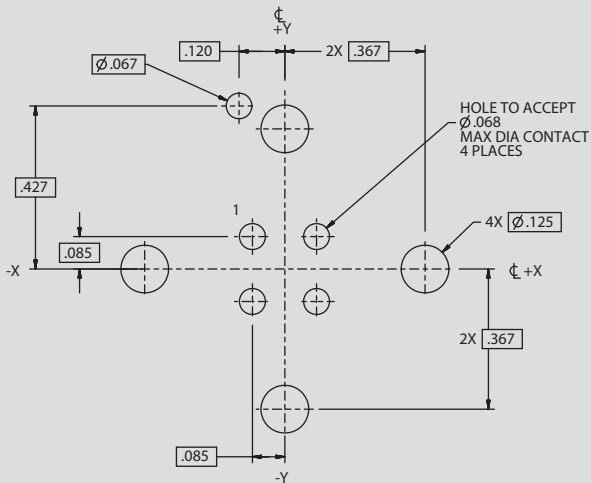
Arrangement No. 8-1
 1x #16 Contacts



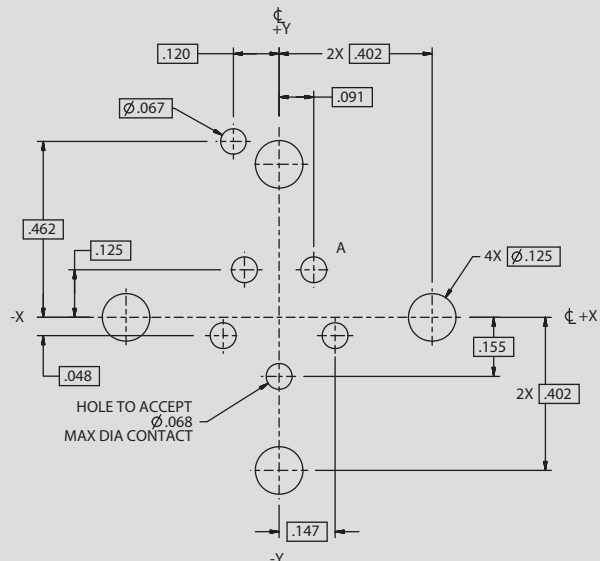
Arrangement No. 10-2
 2x #16 Contacts



Arrangement No. 11-4
 4x #16 Contacts



Arrangement No. 12-5
 5x #16 Contacts

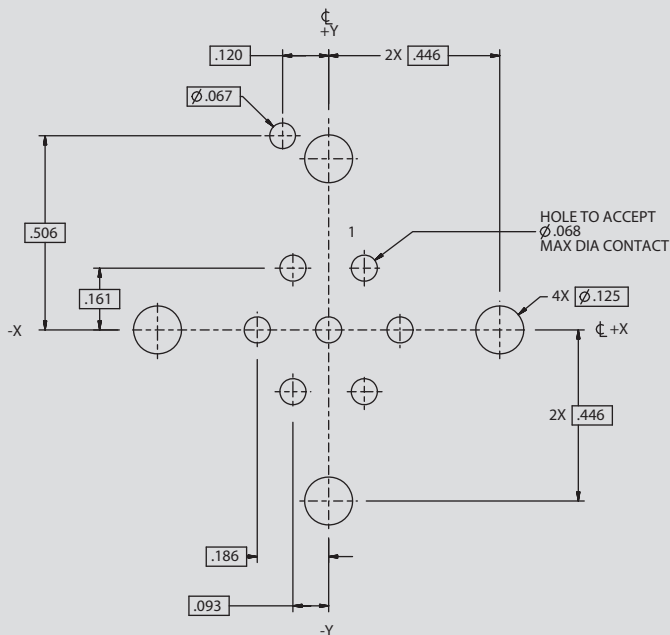


MICRO MINIATURE CIRCULAR
Series 806
Mil-Aero Connectors
 Size 16 PCB footprints

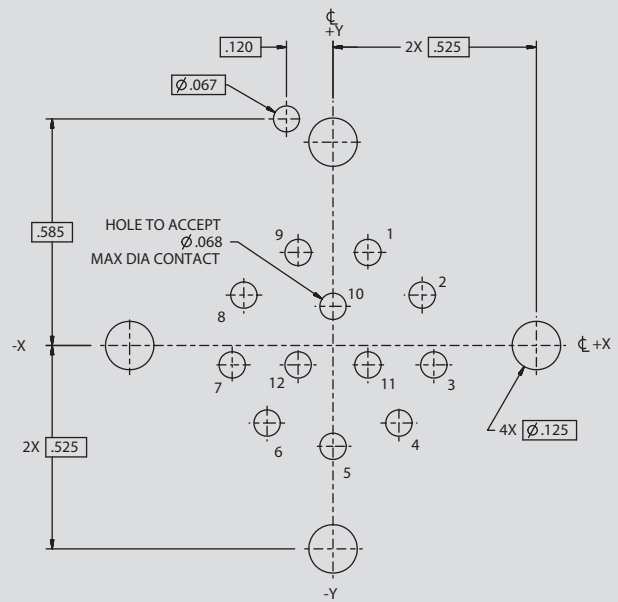


Recommended PCB Layouts are shown for the connector mounting size of PC board. Contact identification numbers are for pin connectors. Socket identification numbers are reversed. See page 159 for size 16 coax PC tail footprints.

Arrangement No. 14-7
 7x #16 Contacts



Arrangement No. 16-12
 12x #16 Contacts



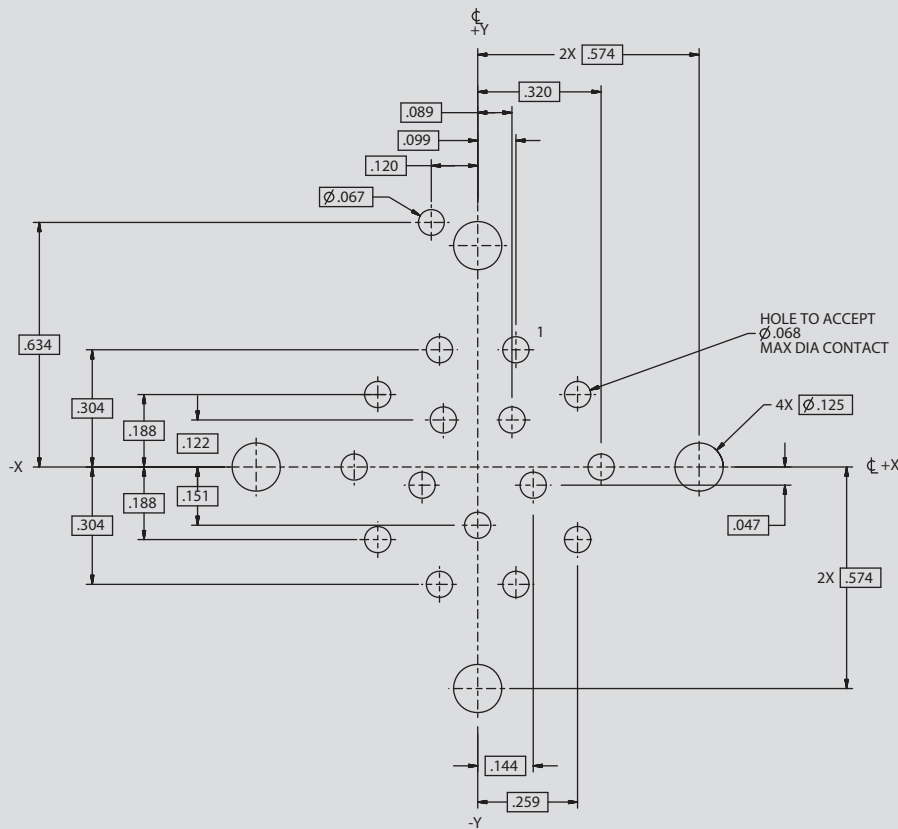
ID NO	LOCATION	
	X	Y
1	0.089	0.244
2	0.225	0.130
3	0.256	-0.045
4	0.167	-0.199
5	0.000	-0.260
6	-0.167	-0.199
7	-0.256	-0.045
8	-0.225	0.130
9	-0.089	0.244
10	0.000	0.101
11	0.088	-0.051
12	-0.088	-0.051

MICRO MINIATURE CIRCULAR
Series 806
Mil-Aero Connectors
 Size 16 PCB footprints



Recommended PCB Layouts are shown for the connector mounting size of PC board. Contact identification numbers are for pin connectors. Socket identification numbers are reversed. See page 159 for size 16 coax PC tail footprints.

Arrangement No. 18-15
 15x #16 Contacts

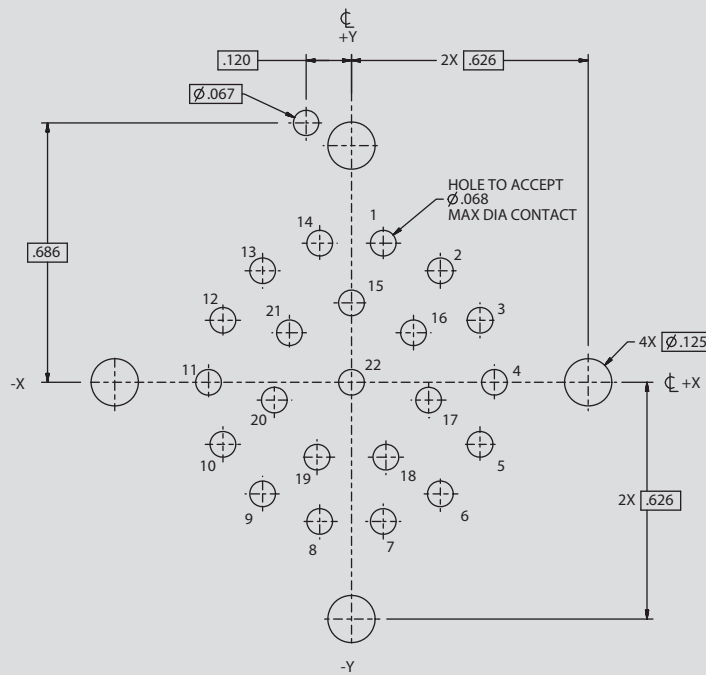


MICRO MINIATURE CIRCULAR
Series 806
Mil-Aero Connectors
 Size 16 PCB footprints



Recommended PCB Layouts are shown for the connector mounting size of PC board. Contact identification numbers are for pin connectors. Socket identification numbers are reversed. See page 159 for size 16 coax PC tail footprints.

Arrangement No. 20-22
 22x #16 Contacts



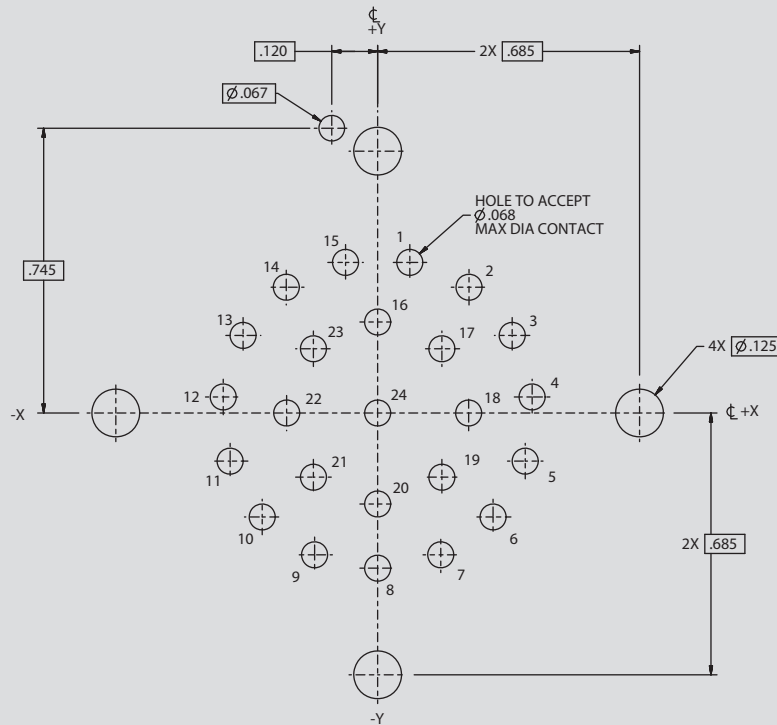
ID NO	LOCATION		ID NO	LOCATION	
	X	Y		X	Y
1	0.084	0.368	12	-0.340	0.164
2	0.235	0.295	13	-0.235	0.295
3	0.340	0.164	14	-0.084	0.368
4	0.378	0.0	15	0.0	0.210
5	0.340	-0.164	16	0.164	0.131
6	0.235	-0.295	17	0.204	-0.047
7	0.084	-0.368	18	0.091	-0.189
8	-0.084	-0.368	19	-0.091	-0.189
9	-0.235	-0.295	20	-0.204	-0.047
10	-0.340	-0.164	21	-0.164	0.131
11	-0.378	0.0	22	0.0	0.0

MICRO MINIATURE CIRCULAR
Series 806
Mil-Aero Connectors
 Size 16 PCB footprints



Recommended PCB Layouts are shown for the connector mounting size of PC board. Contact identification numbers are for pin connectors. Socket identification numbers are reversed. See page 159 for size 16 coax PC tail footprints.

Arrangement No. 22-24
 24x #16 Contacts



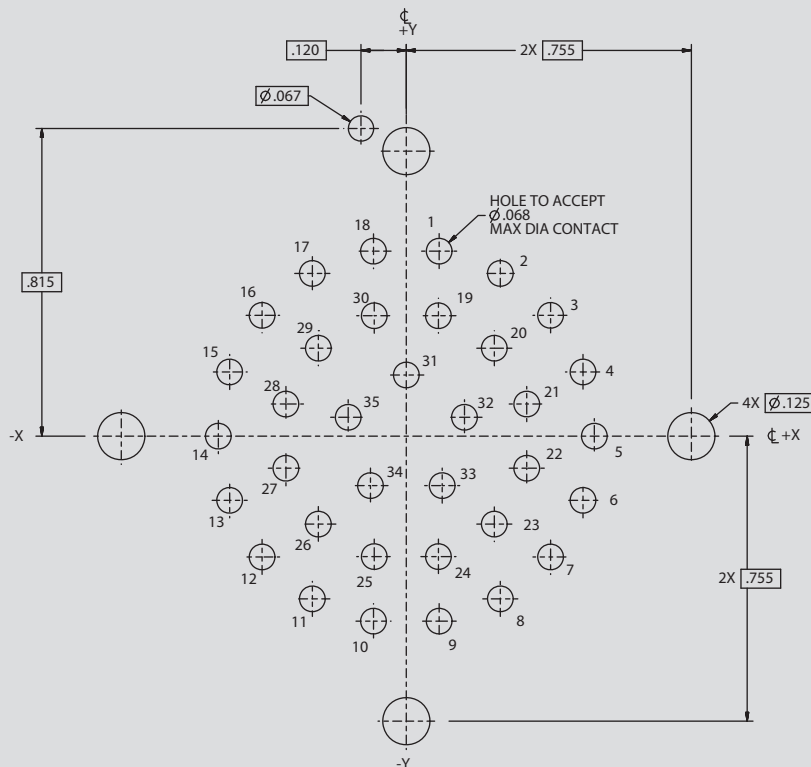
ID NO	LOCATION		ID NO	LOCATION	
	X	Y		X	Y
1	0.084	0.397	13	-0.352	0.203
2	0.239	0.329	14	-0.239	0.329
3	0.352	0.203	15	-0.084	0.397
4	0.404	0.042	16	0.0	0.238
5	0.386	-0.126	17	0.168	0.168
6	0.302	-0.272	18	0.238	0.0
7	0.165	-0.371	19	0.168	-0.168
8	0.0	-0.406	20	0.0	-0.238
9	-0.165	-0.371	21	-0.168	-0.168
10	-0.302	-0.272	22	0.0	-0.238
11	-0.386	-0.126	23	-0.168	0.168
12	-0.404	0.042	24	0.0	0.0

MICRO MINIATURE CIRCULAR
Series 806
Mil-Aero Connectors
 Size 16 PCB footprints



Recommended PCB Layouts are shown for the connector mounting size of PC board. Contact identification numbers are for pin connectors. Socket identification numbers are reversed. See page 159 for size 16 coax PC tail footprints.

Arrangement No. 24-35
 35x #16 Contacts



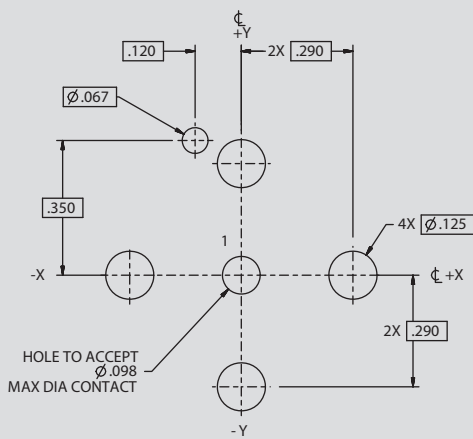
ID NO	LOCATION X	LOCATION Y	ID NO	LOCATION X	LOCATION Y	ID NO	LOCATION X	LOCATION Y
1	0.087	0.490	13	-0.170	-0.468	25	-0.085	-0.319
2	0.249	0.431	14	-0.498	0.0	26	-0.233	-0.233
3	0.382	0.320	15	-0.468	0.170	27	-0.319	-0.085
4	0.468	0.170	16	-0.382	0.320	28	-0.319	0.085
5	0.498	0.0	17	-0.249	0.431	29	-0.233	0.233
6	0.468	-0.170	18	-0.087	0.490	30	-0.085	0.319
7	0.382	-0.320	19	0.085	0.319	31	0.0	0.162
8	0.249	-0.431	20	0.233	0.233	32	0.154	0.050
9	0.087	-0.490	21	0.319	0.085	33	0.095	-0.131
10	-0.087	-0.490	22	0.319	-0.085	34	-0.095	-0.131
11	-0.249	-0.431	23	0.233	-0.233	35	-0.154	0.050
12	-0.382	-0.320	24	0.085	-0.319			

MICRO MINIATURE CIRCULAR
Series 806
Mil-Aero Connectors
Size 12 PCB footprints

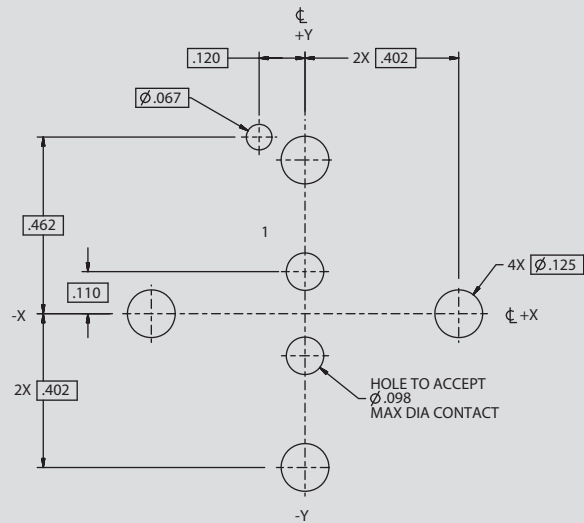


Recommended PCB Layouts are shown for the connector mounting size of PC board. Contact identification numbers are for pin connectors. Socket identification numbers are reversed. See page 159 for size 12 coax PC tail footprints.

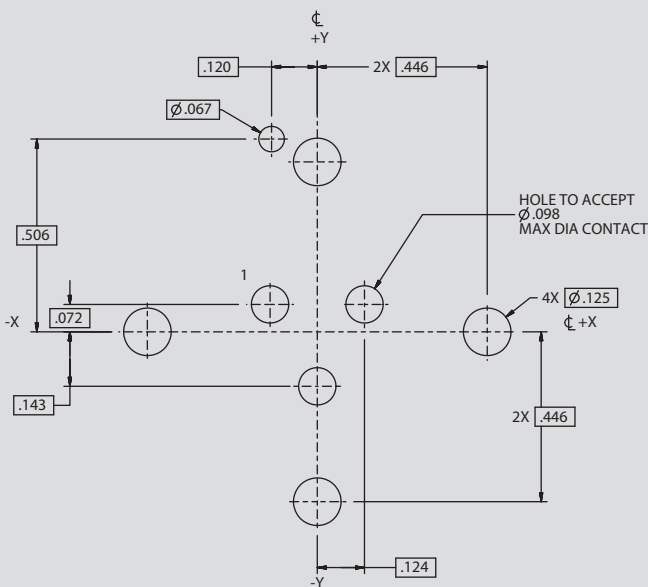
Arrangement No. 9-1
 1x #12 Contact



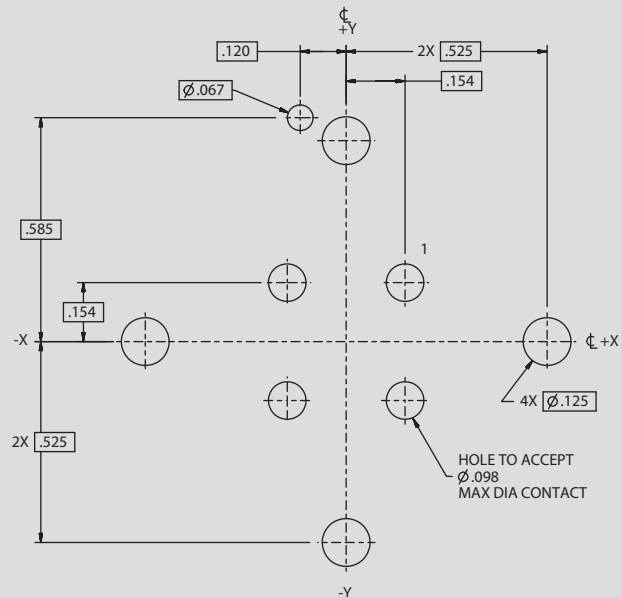
Arrangement No. 12-2
 2x #12 Contacts



Arrangement No. 14-3
 3x #12 Contacts



Arrangement No. 16-4
 4x #12 Contacts

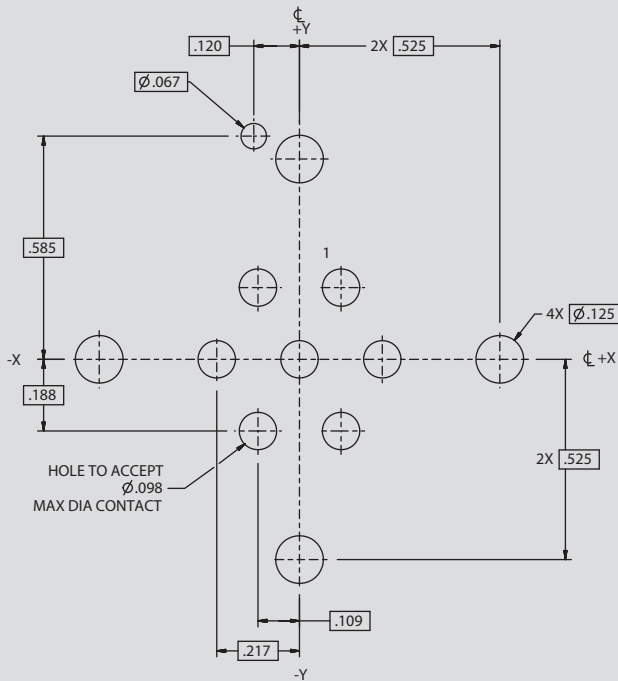


MICRO MINIATURE CIRCULAR
Series 806
Mil-Aero Connectors
 Size 12 PCB footprints

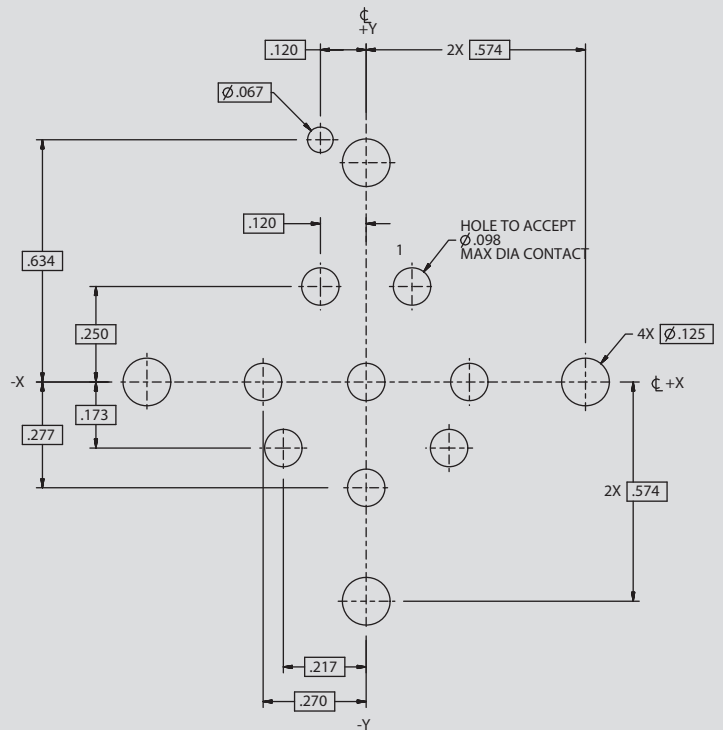


Recommended PCB Layouts are shown for the connector mounting size of PC board. Contact identification numbers are for pin connectors. Socket identification numbers are reversed. See page 159 for size 12 coax PC tail footprints.

Arrangement No. 16-7
 7x #12 Contacts



Arrangement No. 18-8
 8x #12 Contacts

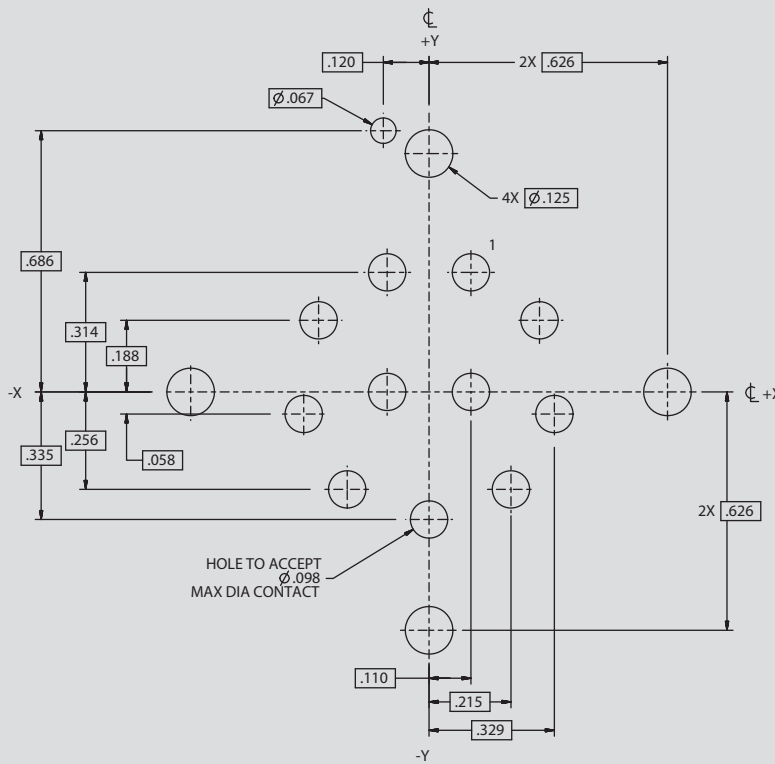


MICRO MINIATURE CIRCULAR
Series 806
Mil-Aero Connectors
 Size 12 PCB footprints



Recommended PCB Layouts are shown for the connector mounting size of PC board. Contact identification numbers are for pin connectors. Socket identification numbers are reversed. See page 159 for size 12 coax PC tail footprints.

Arrangement No. 20-11
 11x #12 Contacts

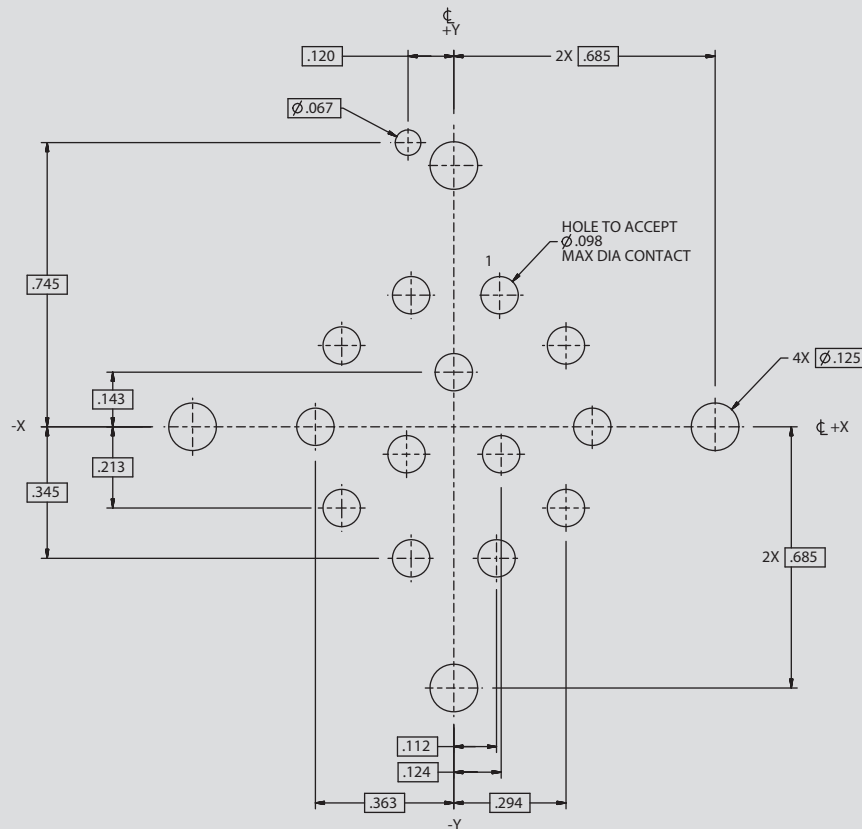


MICRO MINIATURE CIRCULAR
Series 806
Mil-Aero Connectors
 Size 12 PCB footprints



Recommended PCB Layouts are shown for the connector mounting size of PC board. Contact identification numbers are for pin connectors. Socket identification numbers are reversed. See page 159 for size 12 coax PC tail footprints.

Arrangement No. 22-13
 13x #12 Contacts

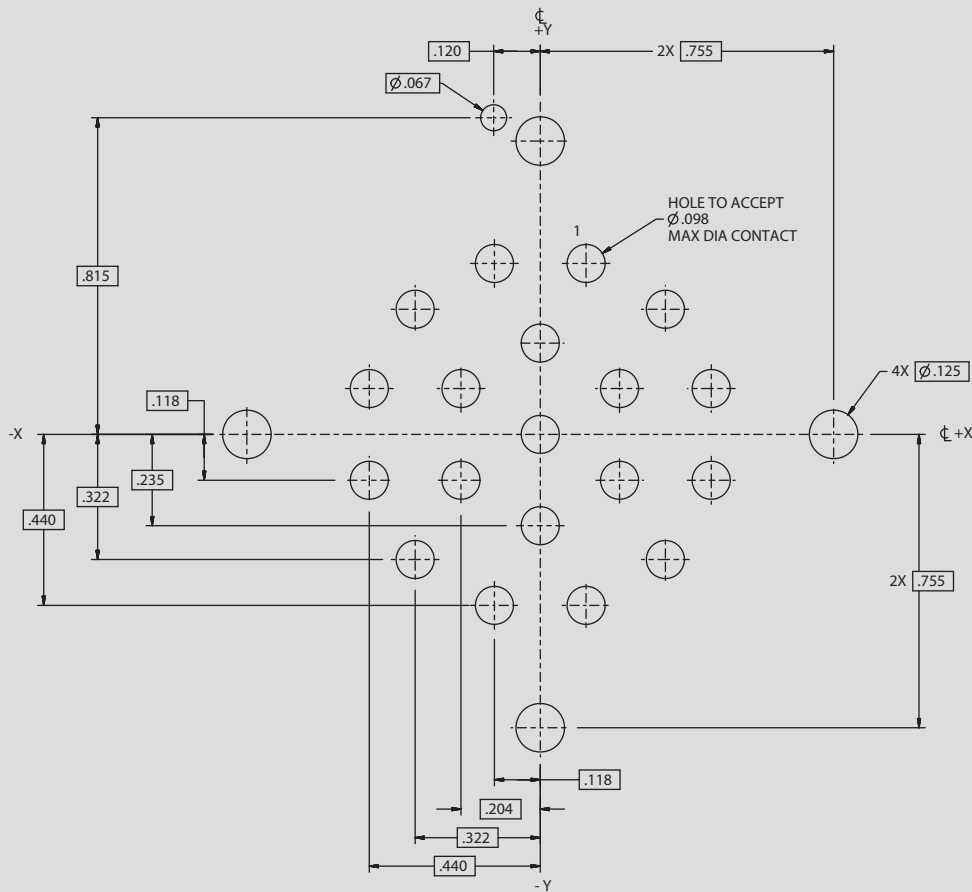


MICRO MINIATURE CIRCULAR
Series 806
Mil-Aero Connectors
Size 12 PCB footprints



Recommended PCB Layouts are shown for the connector mounting size of PC board. Contact identification numbers are for pin connectors. Socket identification numbers are reversed. See page 159 for size 12 coax PC tail footprints.

Arrangement No. 24-19
 19x #12 Contacts

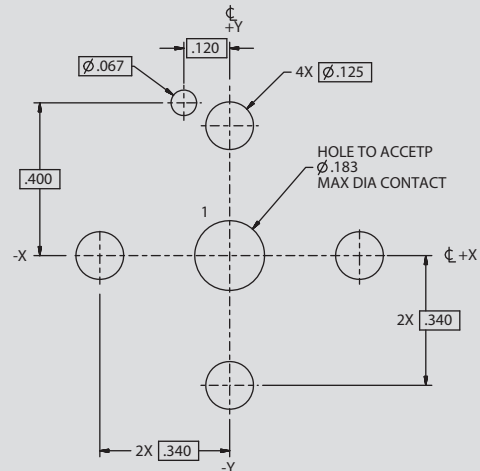


MICRO MINIATURE CIRCULAR
Series 806
Mil-Aero Connectors
 Size 8 PCB footprints

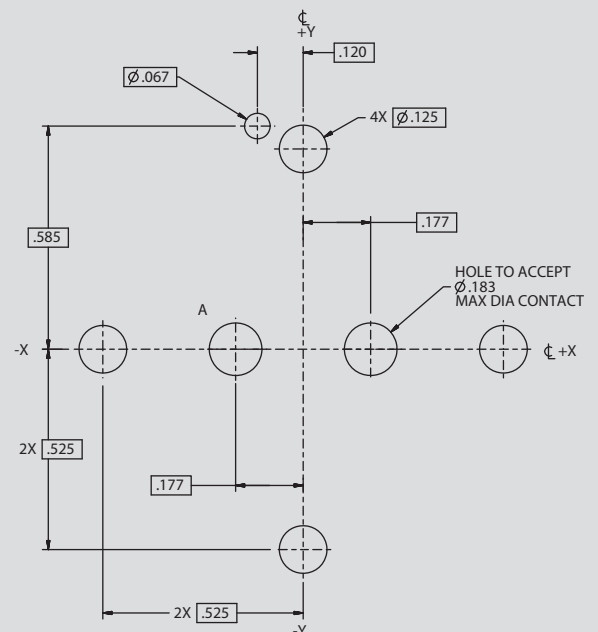


Recommended PCB Layouts are shown for the connector mounting size of PC board. Contact identification numbers are for pin connectors. Socket identification numbers are reversed. See page 159 for size 8 coax, twinax, quadax, and El Ochito PC tail footprints.

Arrangement No. 10-1
 1x #8 Contacts



Arrangement No. 16-2
 2x #8 Contacts

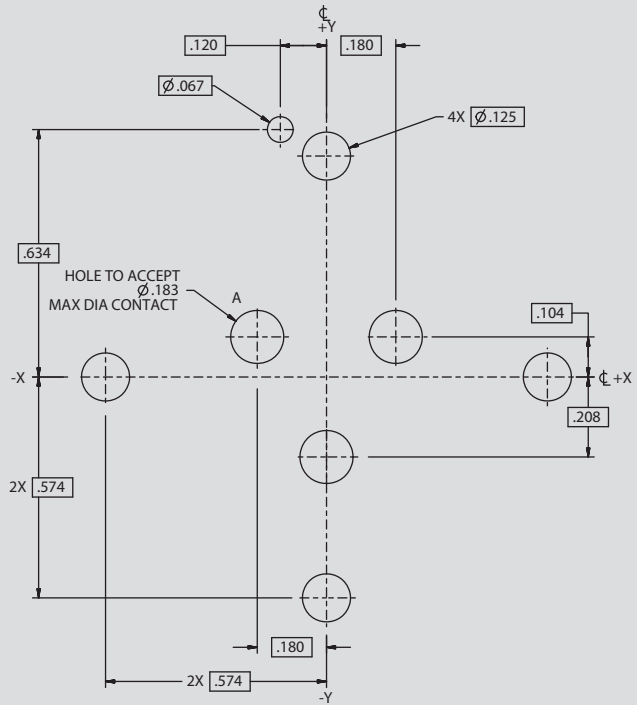


MICRO MINIATURE CIRCULAR
Series 806
Mil-Aero Connectors
Size 8 PCB footprints

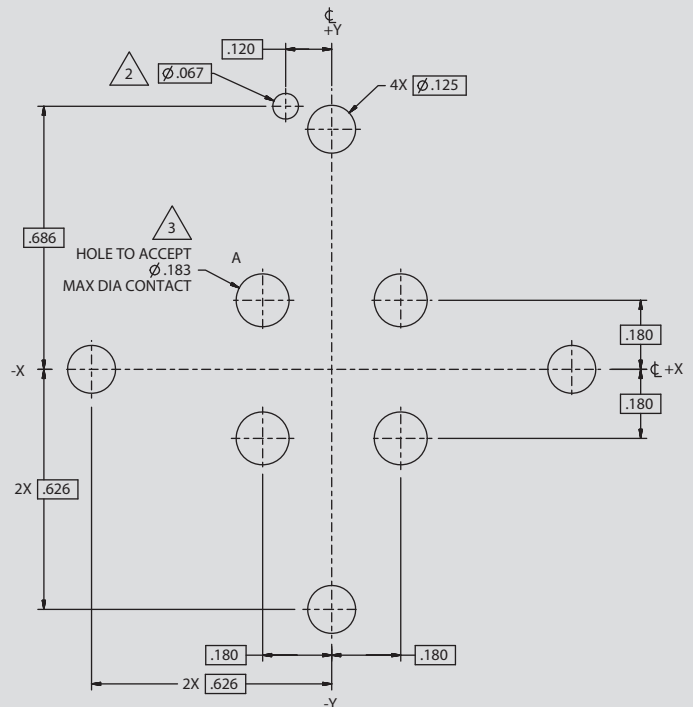


Recommended PCB Layouts are shown for the connector mounting size of PC board. Contact identification numbers are for pin connectors. Socket identification numbers are reversed. See page 159 for size 8 coax, twinax, quadax, and El Ochito PC tail footprints.

Arrangement No. 18-3
 3x #8 Contact



Arrangement No. 20-4
 4x #8 Contacts

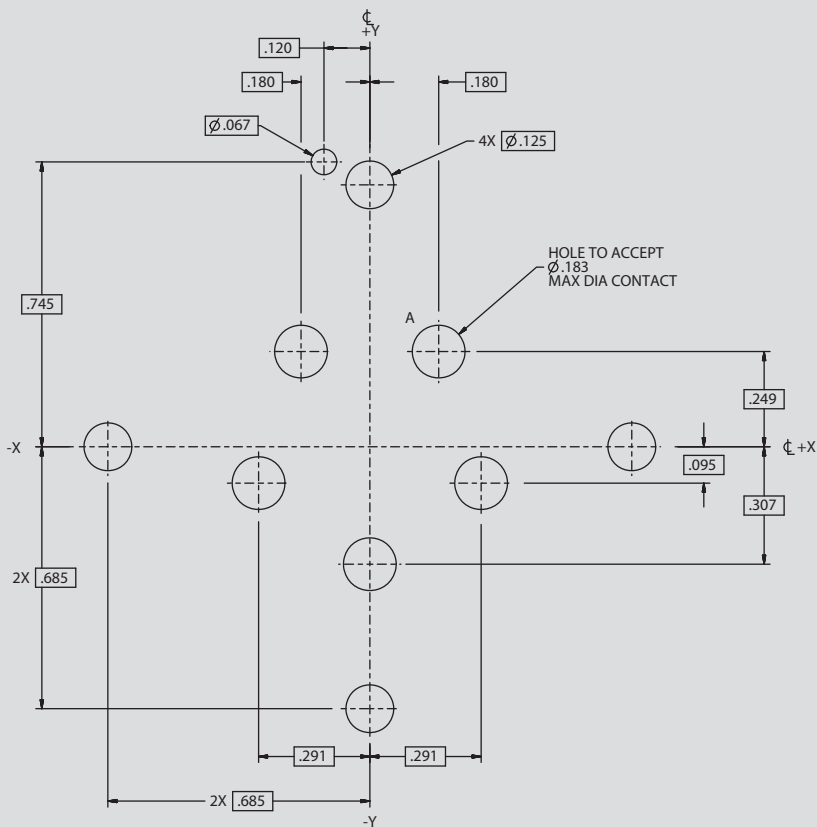


MICRO MINIATURE CIRCULAR
Series 806
Mil-Aero Connectors
 Size 8 PCB footprints



Recommended PCB Layouts are shown for the connector mounting size of PC board. Contact identification numbers are for pin connectors. Socket identification numbers are reversed. See page 159 for size 8 coax, twinax, quadrax, and El Ochito PC tail footprints.

Arrangement No. 22-5
 5x #8 Contacts

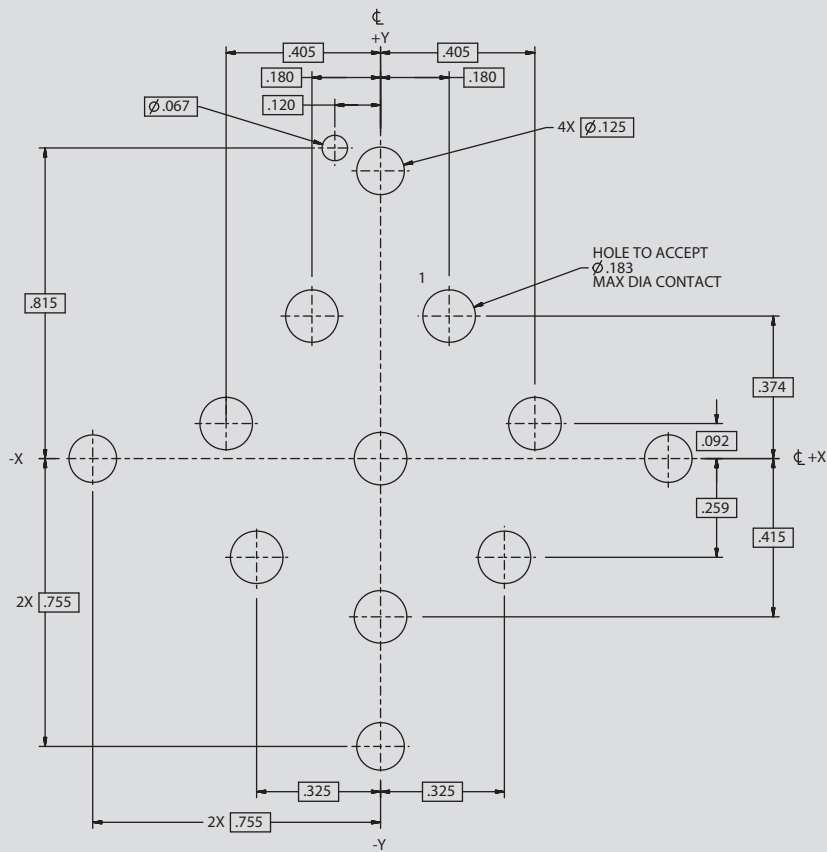


MICRO MINIATURE CIRCULAR
Series 806
Mil-Aero Connectors
Size 8 PCB footprints



Recommended PCB Layouts are shown for the connector mounting size of PC board. Contact identification numbers are for pin connectors. Socket identification numbers are reversed. See page 159 for size 8 coax, twinax, quadrax, and EI Ochito PC tail footprints.

Arrangement No. 24-8
8x #8 EI Ochito Contacts



MICRO MINIATURE CIRCULAR
Series 806
Mil-Aero Connectors

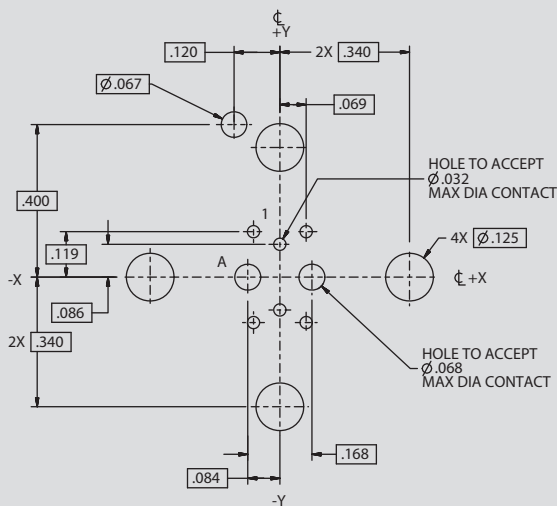


Size 22 and 16 combination PCB footprints

Recommended PCB Layouts are shown for the connector mounting size of PC board. Contact identification numbers are for pin connectors. Socket identification numbers are reversed. See page 159 for size 16 coax PC tail footprints.

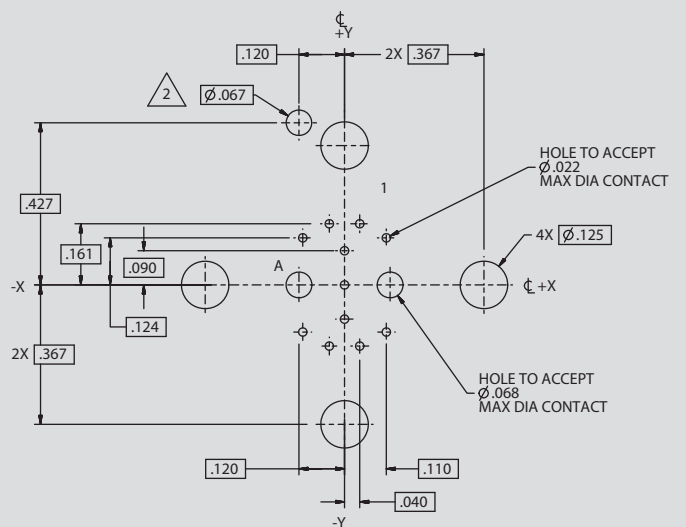
Arrangement No. 10-8A

2x #16 and 6x #22HD Contacts



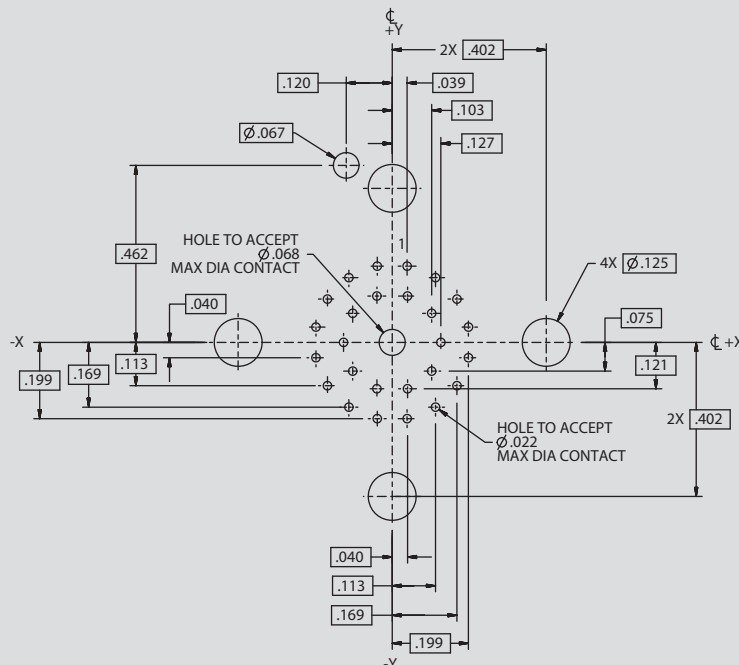
Arrangement No. 11-13

2x #16 and 6x #22HD Contacts



Arrangement No. 12-27

1x #16 and 26x #22HD Contacts

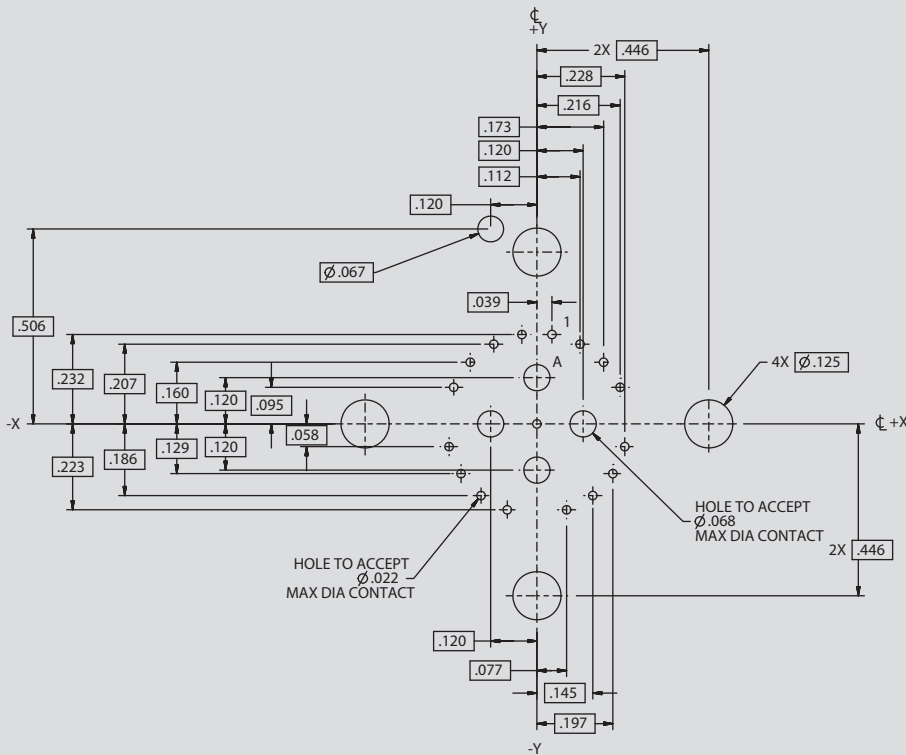




Recommended PCB Layouts are shown for the connector mounting size of PC board. Contact identification numbers are for pin connectors. Socket identification numbers are reversed. See page 159 for size 16 coax PC tail footprints.

Arrangement No. 14-21

4x #16 and 17x #22HD Contacts

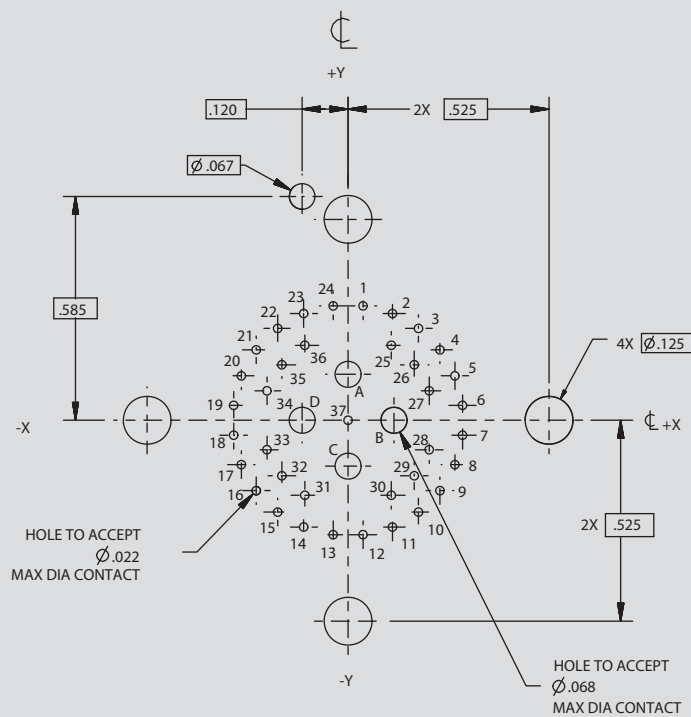


MICRO MINIATURE CIRCULAR
Series 806
Mil-Aero Connectors
 Size 22 and 16 combination PCB footprints



Recommended PCB Layouts are shown for the connector mounting size of PC board. Contact identification numbers are for pin connectors. Socket identification numbers are reversed. See page 159 for size 16 coax PC tail footprints.

Arrangement No. 16-41
 4x #16 and 37x #22HD Contacts



ID NO	LOCATION		ID NO	LOCATION		ID NO	LOCATION	
	X	Y		X	Y		X	Y
1	0.039	0.299	15	-0.184	-0.240	29	0.173	-0.145
2	0.116	0.279	16	-0.240	-0.184	30	0.113	-0.196
3	0.184	0.240	17	-0.279	-0.116	31	-0.113	-0.196
4	0.240	0.184	18	-0.299	-0.039	32	-0.173	-0.145
5	0.279	0.116	19	-0.299	0.039	33	-0.212	-0.077
6	0.299	0.039	20	-0.279	0.116	34	-0.212	0.077
7	0.299	-0.039	21	-0.240	0.184	35	-0.173	0.145
8	0.279	-0.116	22	-0.184	0.240	36	-0.113	0.196
9	0.240	-0.184	23	-0.116	0.279	37	0.0	0.0
10	0.184	-0.240	24	-0.039	0.299	A	0.0	0.120
11	0.116	-0.279	25	0.113	0.196	B	0.120	0.0
12	0.039	-0.299	26	0.173	0.145	C	0.0	-0.120
13	-0.039	-0.299	27	0.212	0.077	D	-0.120	0.0
14	-0.116	-0.279	28	0.212	-0.077	--	----	----

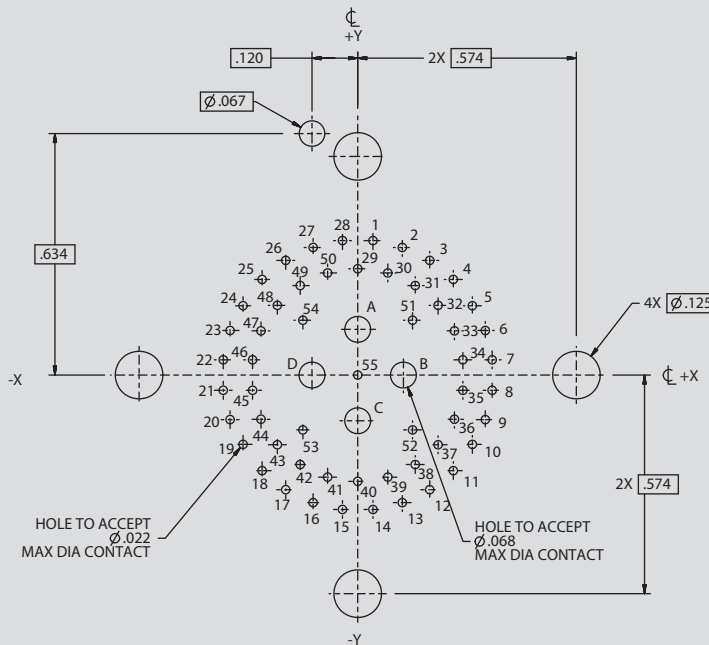
APPENDIX

MICRO MINIATURE CIRCULAR
Series 806
Mil-Aero Connectors
 Size 22 and 16 combination PCB footprints



Recommended PCB Layouts are shown for the connector mounting size of PC board. Contact identification numbers are for pin connectors. Socket identification numbers are reversed. See page 159 for size 16 coax PC tail footprints.

Arrangement No. 18-59
 4x #16 and 17x #22HD Contacts



ID NO	LOCATION		ID NO	LOCATION		ID NO	LOCATION		ID NO	LOCATION	
	X	Y		X	Y		X	Y		X	Y
1	0.040	0.353	16	-0.117	-0.335	31	0.151	0.235	46	-0.276	0.040
2	0.117	0.335	17	-0.189	-0.301	32	0.211	0.183	47	-0.254	0.116
3	0.189	0.301	18	-0.251	-0.251	33	0.254	0.116	48	-0.211	0.183
4	0.251	0.251	19	-0.301	-0.183	34	0.276	0.040	49	-0.151	0.235
5	0.301	0.183	20	-0.335	-0.117	35	0.276	-0.040	50	-0.079	0.268
6	0.335	0.117	21	-0.353	-0.040	36	0.254	-0.116	51	0.144	0.144
7	0.353	0.040	22	-0.353	0.040	37	0.211	-0.183	52	0.144	-0.144
8	0.353	-0.040	23	-0.335	0.117	38	0.151	-0.235	53	-0.144	-0.144
9	0.335	-0.117	24	-0.301	0.183	39	0.079	-0.268	54	-0.144	0.144
10	0.301	-0.183	25	-0.251	0.251	40	0.000	-0.279	55	0.000	0.000
11	0.251	-0.251	26	-0.189	0.301	41	-0.079	-0.268	A	0.000	0.120
12	0.189	-0.301	27	-0.117	0.335	42	-0.151	-0.235	B	0.120	0.000
13	0.117	-0.335	28	-0.040	0.353	43	-0.211	-0.183	C	0.000	-0.120
14	0.040	-0.353	29	0.000	0.279	44	-0.254	-0.116	D	-0.120	0.000
15	-0.040	-0.353	30	0.079	0.268	45	-0.276	-0.040	--	----	----

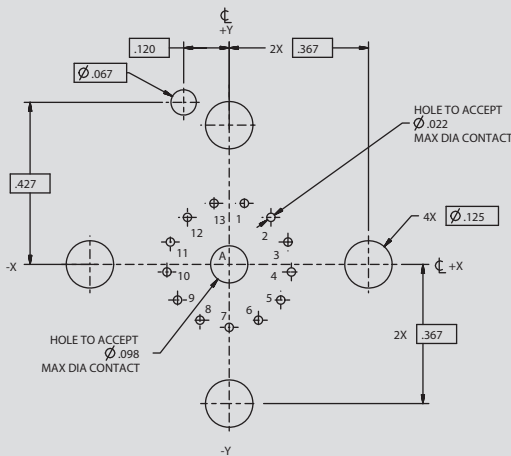
APPENDIX

MICRO MINIATURE CIRCULAR
Series 806
Mil-Aero Connectors
 Size 22 and 12 combination PCB footprints

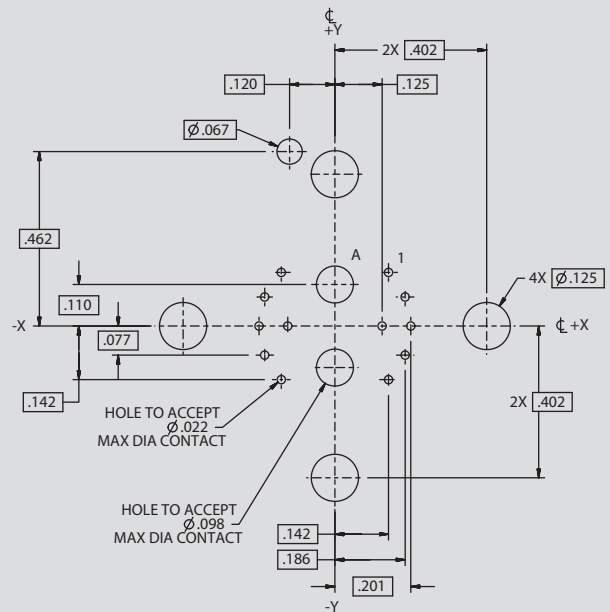


Recommended PCB Layouts are shown for the connector mounting size of PC board. Contact identification numbers are for pin connectors. Socket identification numbers are reversed. See page 159 for size 12 coax PC tail footprints.

Arrangement No. 11-14
 1x #12 and 13x #22HD Contacts



Arrangement No. 12-14
 2x #12 and 12x #22HD Contacts

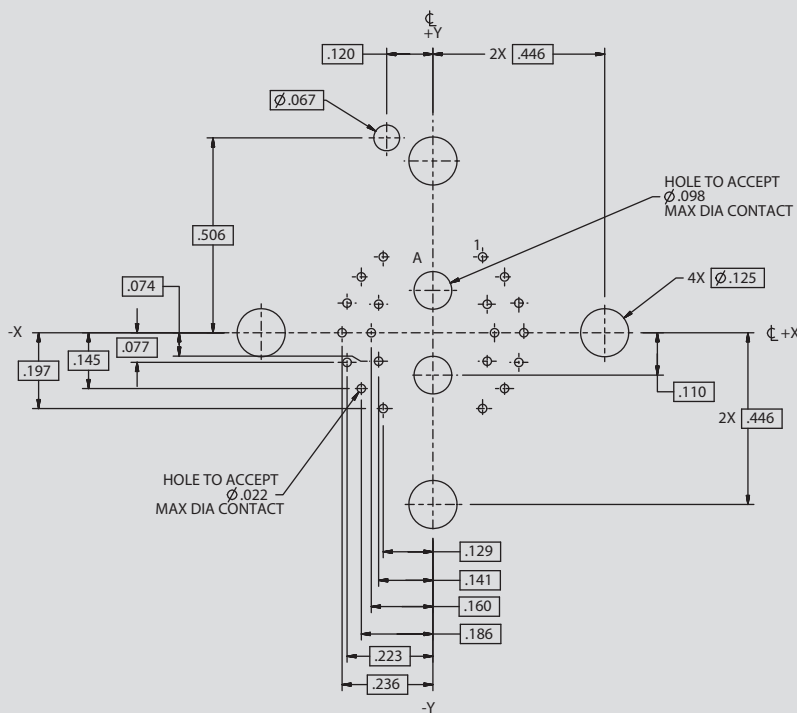


ID NO	LOCATION	
	X	Y
1	0.040	0.161
2	0.110	0.124
3	0.155	0.059
4	0.164	-0.020
5	0.136	-0.094
6	0.077	-0.147
7	0.000	-0.166
8	-0.077	-0.147
9	-0.136	-0.094
10	-0.164	-0.020
11	-0.155	0.059
12	-0.110	0.124
13	-0.040	0.161
A	0.000	0.000

Recommended PCB Layouts are shown for the connector mounting size of PC board. Contact identification numbers are for pin connectors. Socket identification numbers are reversed. See page 159 for size 12 coax PC tail footprints.

Arrangement No. 14-22

2x #12 and 20x #22HD Contacts



MICRO MINIATURE CIRCULAR

Series 806

Mil-Aero Connectors

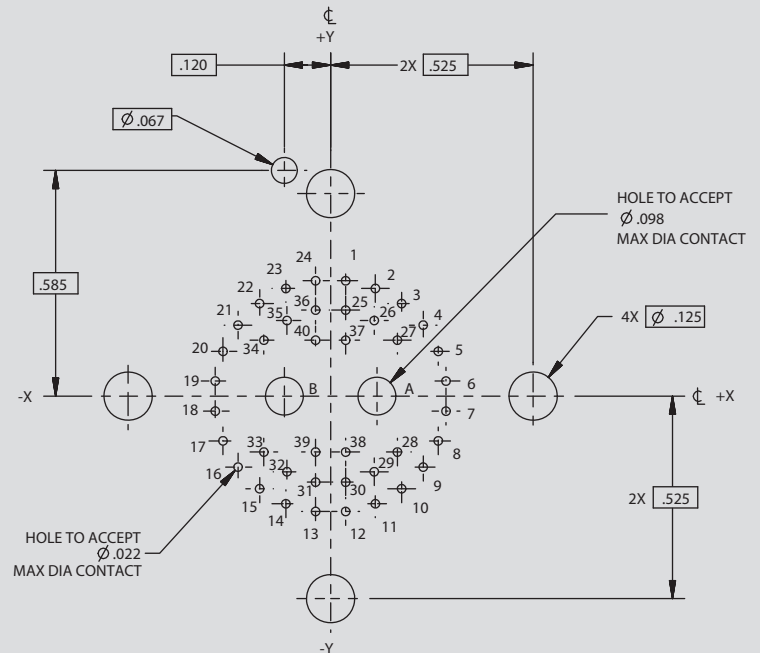


Size 22 and 12 combination PCB footprints

Recommended PCB Layouts are shown for the connector mounting size of PC board. Contact identification numbers are for pin connectors. Socket identification numbers are reversed. See page 159 for size 12 coax PC tail footprints.

Arrangement No. 16-42

2x #12 and 40x #22HD Contacts



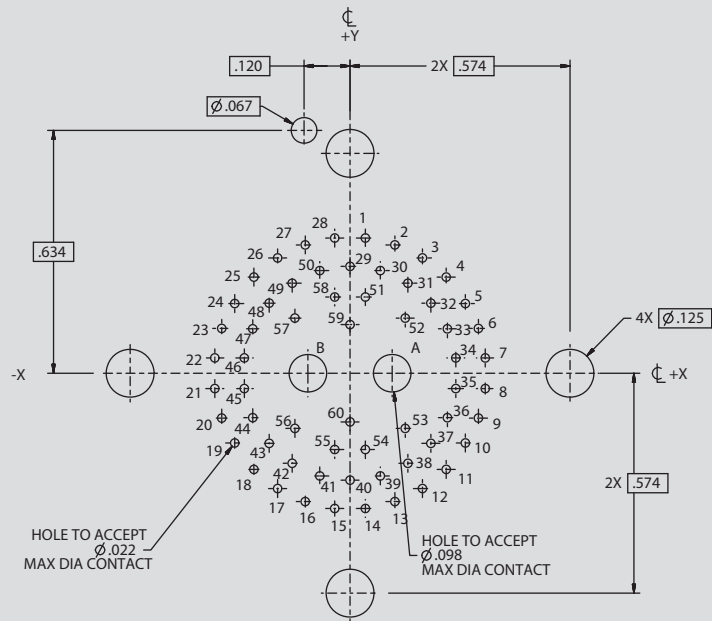
ID NO	LOCATION X	LOCATION Y	ID NO	LOCATION X	LOCATION Y
1	0.039	0.299	22	-0.184	0.240
2	0.116	0.279	23	-0.116	0.279
3	0.184	0.240	24	-0.039	0.299
4	0.240	0.184	25	0.039	0.223
5	0.279	0.116	26	0.113	0.196
6	0.299	0.039	27	0.173	0.145
7	0.299	-0.039	28	0.173	-0.145
8	0.279	-0.116	29	0.113	-0.196
9	0.240	-0.184	30	0.039	-0.223
10	0.184	-0.240	31	-0.039	-0.223
11	0.116	-0.279	32	-0.113	-0.196
12	0.039	-0.299	33	-0.173	-0.145
13	-0.039	-0.299	34	-0.173	0.145
14	-0.116	-0.279	35	-0.113	0.196
15	-0.184	-0.240	36	-0.039	0.223
16	-0.240	-0.184	37	0.039	0.145
17	-0.279	-0.116	38	0.039	-0.145
18	-0.299	-0.039	39	-0.039	-0.145
19	-0.299	0.039	40	-0.039	0.145
20	-0.279	0.116	A	0.110	0.0
21	-0.240	0.184	B	-0.110	0.0

MICRO MINIATURE CIRCULAR
Series 806
Mil-Aero Connectors
 Size 22 and 12 combination PCB footprints



Recommended PCB Layouts are shown for the connector mounting size of PC board. Contact identification numbers are for pin connectors. Socket identification numbers are reversed. See page 159 for size 12 coax PC tail footprints.

Arrangement No. 18-62
 60x #22HD and 2 #12 Contacts



ID NO	LOCATION		ID NO	LOCATION		ID NO	LOCATION	
	X	Y		X	Y		X	Y
1	0.040	0.353	22	-0.353	0.040	43	-0.211	-0.183
2	0.117	0.335	23	-0.335	0.117	44	-0.254	-0.116
3	0.189	0.301	24	-0.301	0.189	45	-0.276	-0.040
4	0.251	0.251	25	-0.251	0.251	46	-0.276	0.040
5	0.301	0.189	26	-0.189	0.301	47	-0.254	0.116
6	0.335	0.117	27	-0.117	0.335	48	-0.211	0.183
7	0.353	0.040	28	-0.040	0.353	49	-0.151	0.235
8	0.353	-0.040	29	0.0	0.279	50	-0.079	0.268
9	0.335	-0.117	30	0.079	0.268	51	0.040	0.199
10	0.301	-0.189	31	0.151	0.235	52	0.113	0.169
11	0.251	-0.251	32	0.211	0.183	53	0.113	-0.169
12	0.189	-0.301	33	0.254	0.116	54	0.040	-0.199
13	0.117	-0.335	34	0.276	0.040	55	-0.040	-0.199
14	0.040	-0.353	35	0.276	-0.040	56	-0.113	-0.169
15	-0.040	-0.353	36	0.254	-0.116	57	-0.113	0.169
16	-0.117	-0.335	37	0.211	-0.183	58	-0.040	0.199
17	-0.189	-0.301	38	0.151	-0.235	59	0.0	0.127
18	-0.251	-0.251	39	0.079	-0.268	60	0.0	-0.127
19	-0.301	-0.189	40	0.0	-0.279	A	0.110	0.0
20	-0.335	-0.117	41	-0.079	-0.268	B	-0.110	0.0
21	-0.353	-0.040	42	-0.151	-0.235	-	-	-

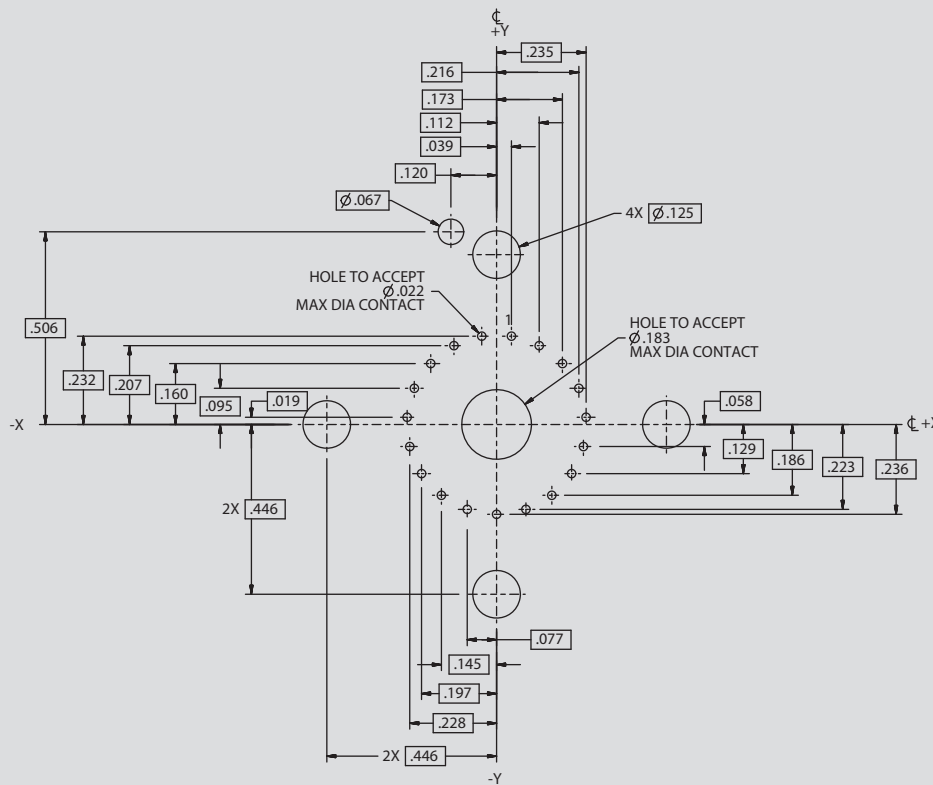
APPENDIX

MICRO MINIATURE CIRCULAR
Series 806
Mil-Aero Connectors
 Size 22 and 8 combination PCB footprints



Recommended PCB Layouts are shown for the connector mounting size of PC board. Contact identification numbers are for pin connectors. Socket identification numbers are reversed. See page 159 for size 8 coax, twinax, quadax, and El Ochito PC tail footprints.

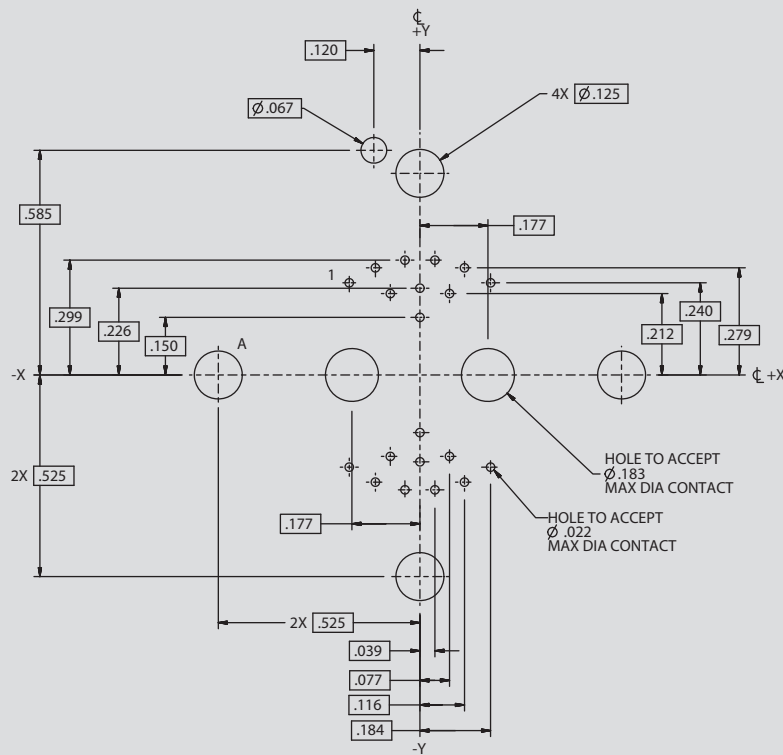
Arrangement No. 14-20A
 20 #22HD and 1x#8 Contacts



Recommended PCB Layouts are shown for the connector mounting size of PC board. Contact identification numbers are for pin connectors. Socket identification numbers are reversed. See page 159 for size 8 coax, twinax, quadrax, and EI Ochoito PC tail footprints.

Arrangement No. 16-22

20 #22HD and 2x#8 Contacts

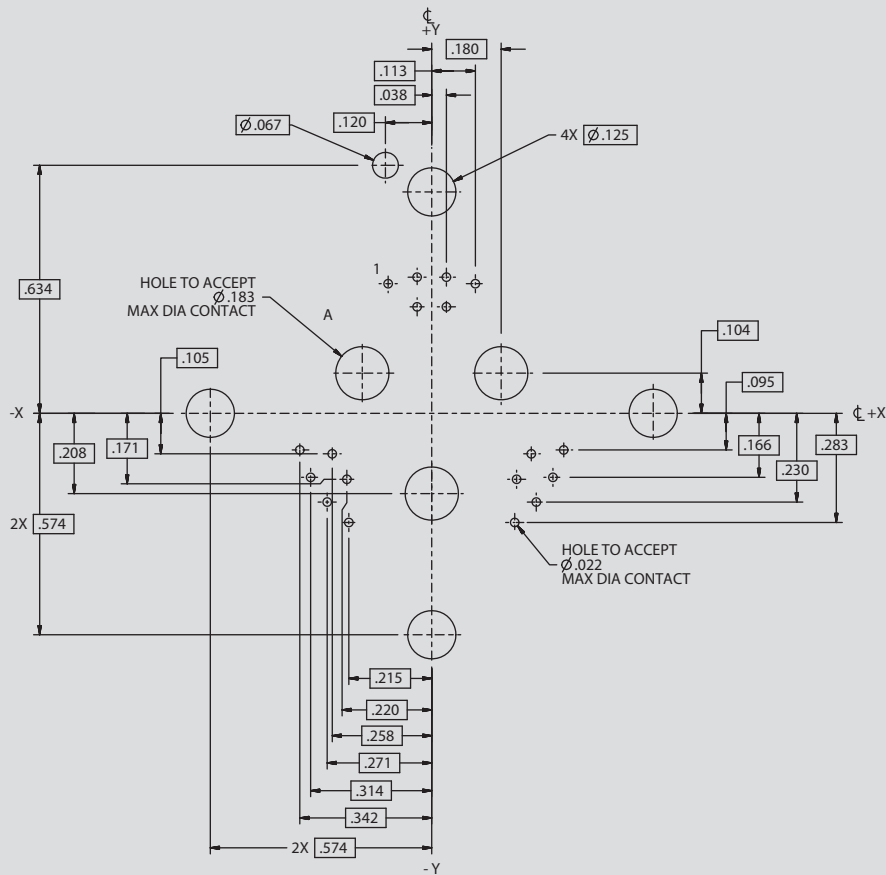


MICRO MINIATURE CIRCULAR
Series 806
Mil-Aero Connectors
 Size 22 and 8 combination PCB footprints



Recommended PCB Layouts are shown for the connector mounting size of PC board. Contact identification numbers are for pin connectors. Socket identification numbers are reversed. See page 159 for size 8 coax, twinax, quadrax, and El Ochito PC tail footprints.

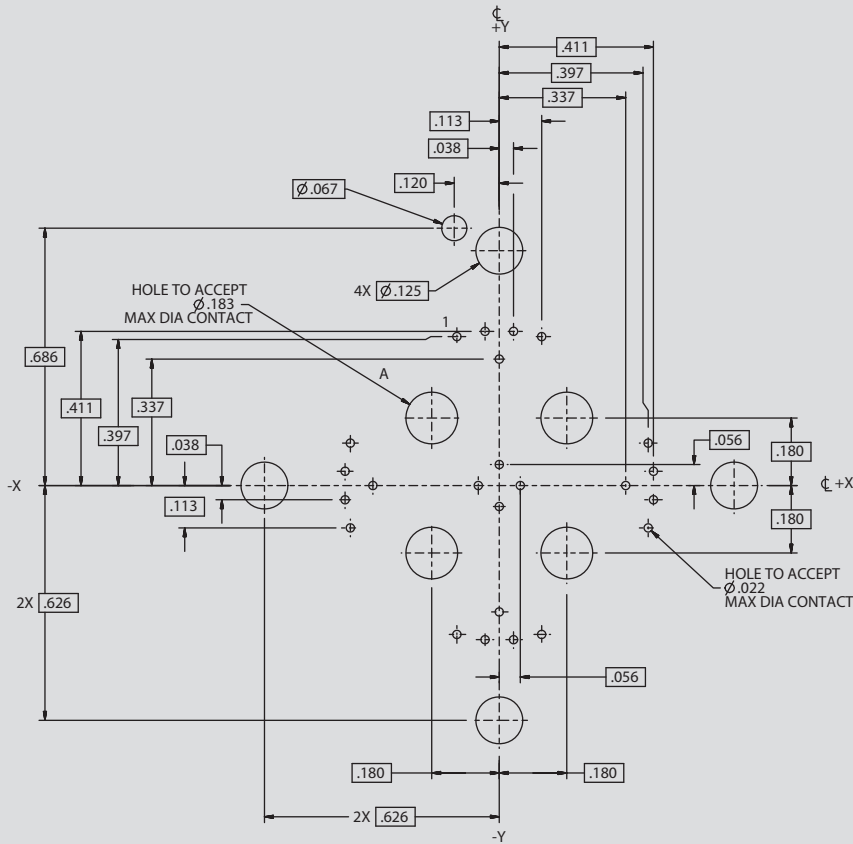
Arrangement No. 18-21
 22x #22HD and 3x#8 Contacts



Recommended PCB Layouts are shown for the connector mounting size of PC board. Contact identification numbers are for pin connectors. Socket identification numbers are reversed. See page 159 for size 8 coax, twinax, quadrax, and EI Ochito PC tail footprints.

Arrangement No. 20-28

24x #22HD and 4x #8 Contacts



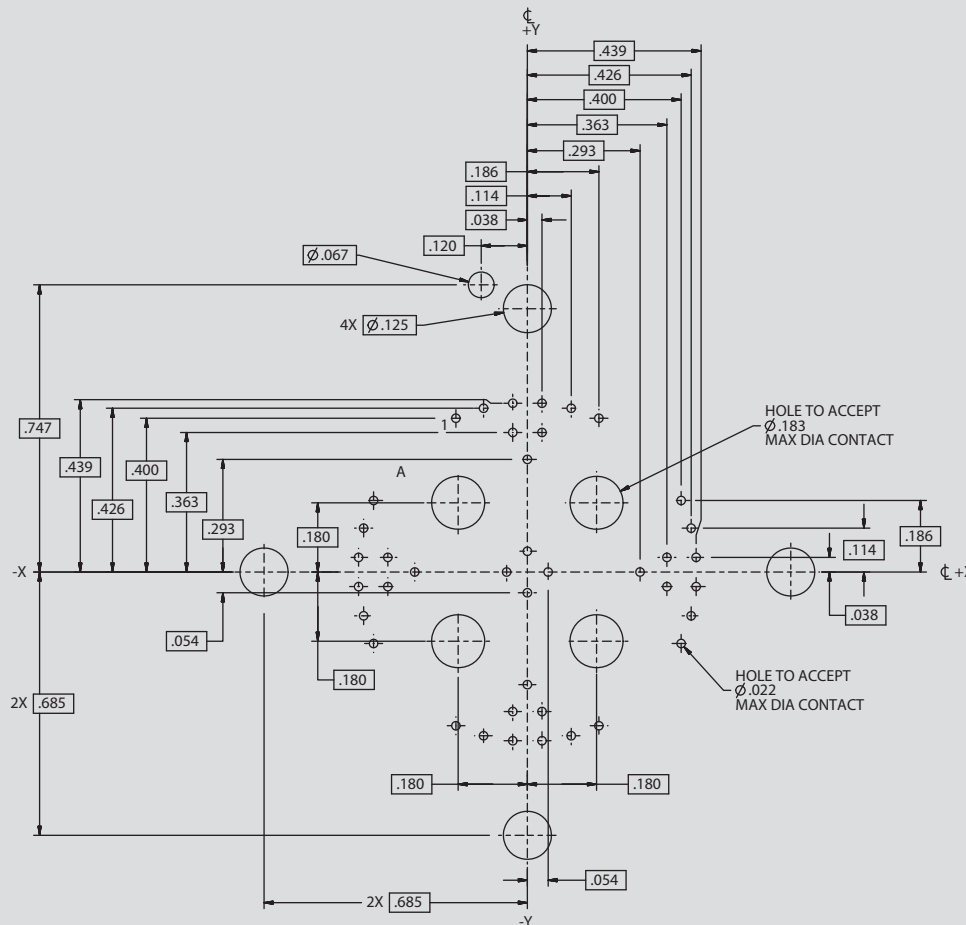
MICRO MINIATURE CIRCULAR
Series 806
Mil-Aero Connectors



Size 22 and 8 combination PCB footprints

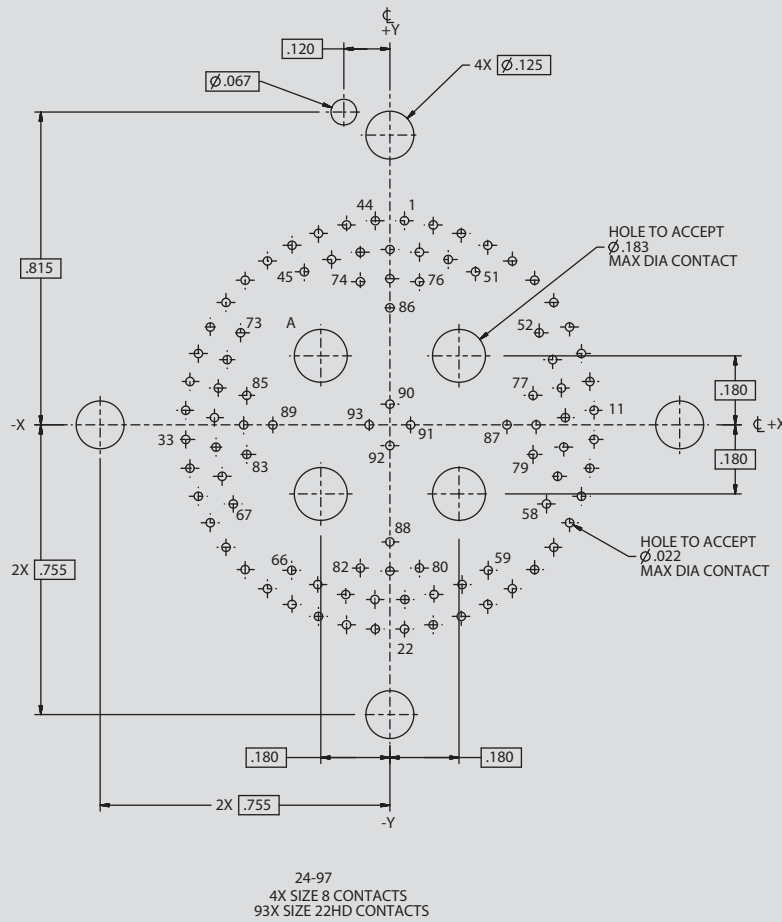
Recommended PCB Layouts are shown for the connector mounting size of PC board. Contact identification numbers are for pin connectors. Socket identification numbers are reversed. See page 159 for size 8 coax, twinax, quadax, and El Ochito PC tail footprints.

Arrangement No. 22-44
 40x #22HD and 4x #8 Contacts



Recommended PCB Layouts are shown for the connector mounting size of PC board. Contact identification numbers are for pin connectors. Socket identification numbers are reversed. See page 159 for size 8 coax, twinax, quadax, and EI Ochito PC tail footprints.

Arrangement No. 24-97
93 #22HD and 4 #8 Contacts



dimensions provided on following page

MICRO MINIATURE CIRCULAR
Series 806
Mil-Aero Connectors
Size 22 and 8 combination PCB footprints



Recommended PCB Layouts are shown for the connector mounting size of PC board. Contact identification numbers are for pin connectors. Socket identification numbers are reversed.

ID NO	LOCATION		ID NO	LOCATION		ID NO	LOCATION	
	X	Y		X	Y		X	Y
1	0.038	0.532	32	-0.521	-0.113	63	-0.039	-0.455
2	0.113	0.521	33	-0.532	-0.038	64	-0.115	-0.442
3	0.186	0.499	34	-532	0.038	65	-0.188	-0.416
4	0.255	0.468	35	-0.521	0.113	66	-0.256	-0.379
5	0.319	0.427	36	-0.499	0.186	67	-0.408	-0.206
6	0.377	0.377	37	-0.468	0.255	68	-0.437	-0.134
7	0.427	0.319	38	-0.427	0.319	69	-0.453	-0.058
8	0.468	0.255	39	-0.377	0.377	70	-0.457	0.019
9	0.499	0.186	40	-0.319	0.427	71	-0.447	0.096
10	0.521	0.113	41	-0.255	0.468	72	-0.424	0.170
11	0.532	0.038	42	-0.186	0.499	73	-0.389	0.240
12	0.532	-0.038	43	-0.113	0.521	74	-0.077	0.373
13	0.521	-0.113	44	-0.038	0.532	75	0	0.381
14	0.499	-0.186	45	-0.223	0.399	76	0.077	0.373
15	0.468	-0.255	46	-0.152	0.431	77	0.373	0.077
16	0.427	-0.319	47	-0.077	0.450	78	0.381	0v
17	0.377	-0.377	48	0	0.457	79	0.373	-0.077
18	0.319	-0.427	49	0.077	0.450	80	0.077	-0.373
19	0.255	-0.468	50	0.152	0.431	81	0	-0.381
20	0.186	-0.499	51	0.223	0.399	82	-0.077	-0.373
21	0.113	-0.521	52	0.389	0.240	83	-0.373	-0.077
22	0.038	-0.532	53	0.424	0.170	84	-0.381	0
23	-0.038	-0.532	54	0.447	0.096	85	-0.373	0.077
24	-0.113	-0.521	55	0.457	0.019	86	0	0.305
25	-0.186	-0.499	56	0.453	-0.058	87	0.305	0
26	-0.255	-0.468	57	0.437	-0.134	88	0	-0.305
27	-0.319	-0.427	58	0.408	-0.206	89	-0.305	0
28	-0.377	-0.377	59	0.256	-0.379	90	0	0.054
29	-0.427	-0.319	60	0.188	-0.416	91	0.054	0
30	-0.468	-0.255	61	0.115	-0.442	92	0	-0.054
31	-0.499	-0.186	62	0.039	-0.455	93	-0.054	0