

181-047

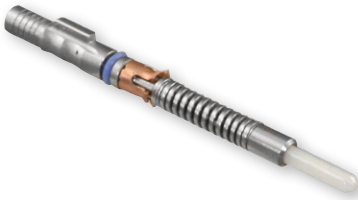
**GHD • Glenair High Density
Fiber Optic Genderless Terminus
Size 18 Keyed Terminus for APC Polish**



Glenair High Density
Fiber Optic System



GHD Size 18 keyed front release genderless terminus for APC polish



The Glenair High Density Fiber Optic Connection System is designed for applications that require reduced size and weight as well as outstanding optical and environmental performance. The System offers insertion loss values less than .5dB (typical loss for Glenair termini is .3 dB). Dense cavity spacing is achieved with an innovative front release terminus design and accommodation for M85045/16 cable. The 181-047 version is equipped with a single keying feature for APC polish.

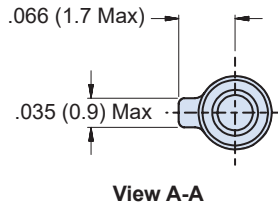
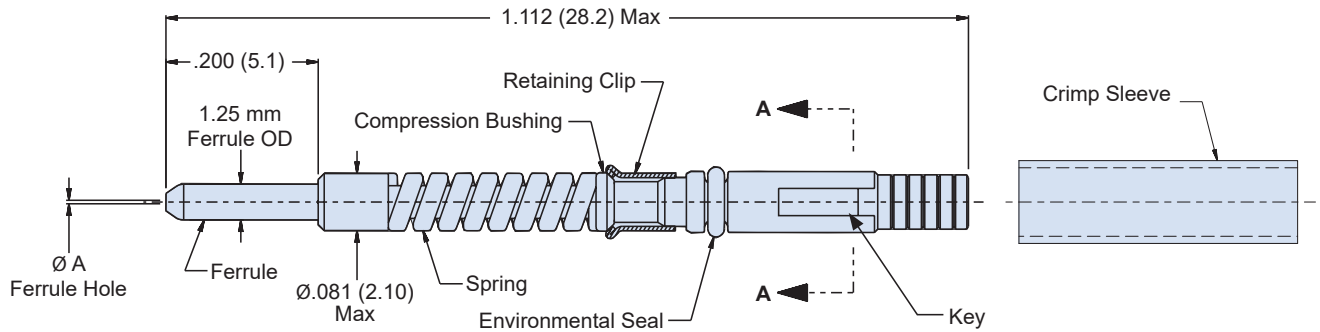


Table I: Dash Number		
Assembly Dash Number	$\varnothing A$ Microns	Fiber Type
181-047-1255C	125.5	SM
181-047-1260C	126.0	SM & MM
181-047-1420C	142.0	MM

Consult factory for additional sizes
SM = Singlemode
MM = Multimode

Table II: Accessories	
Part Number	Description
265-002	Crimp Sleeve, $\varnothing 2.2$ mm Max Jacket

Material and Finish

Ferrule: Zirconia Ceramic
Terminus Assembly: Stainless Steel/ Passivate
Retaining Clip: Spring Alloy
Spring: Stainless Steel/ Passivate
O-Ring: Fluorosilicone
Crimp Sleeve: Brass Alloy/Nickel

Notes

Crimp Sleeve is supplied with Terminus Assembly, and may be ordered separately (see Table II).
For terminus less crimp sleeve, omit **C** from end of part number (e.g. **181-047-1255**)
See Glenair assembly procedure GAP-032 for termination and assembly tools/procedures..