

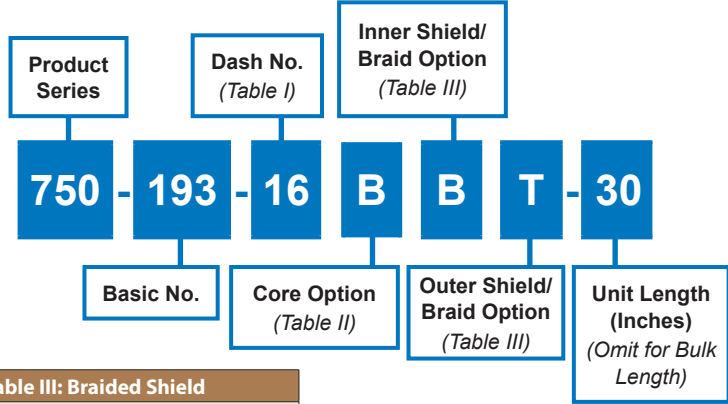


750-193 Flexible Metal-Core EMI/RFI Conduit with 2 External Braids

Double braided shield for high dB shielding requirements



How To Order

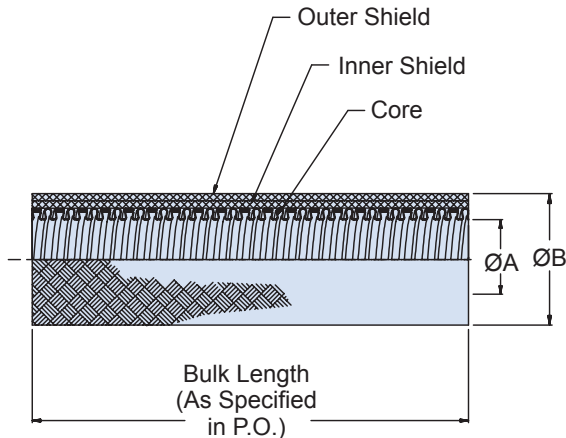


Dash No.	Glenair Brass		SST, Nickel/Iron	
	A I.D.	B O.D.	A I.D.	B O.D.
	Min	Max	Min	Max
06	.175 (4.45)	.390 (9.90)	.175 (4.45)	.390 (9.90)
08	.260 (6.60)	.490 (12.4)	.245 (6.22)	.494 (12.5)
09	.294 (7.47)	.518 (13.2)	.294 (7.47)	.518 (13.2)
10	.308 (7.82)	.545 (13.8)	.308 (7.82)	.545 (13.8)
12	.380 (9.65)	.610 (15.5)	.370 (9.40)	.618 (15.7)
16	.505 (12.8)	.740 (18.8)	.495 (12.6)	.767 (19.5)
20	.630 (16.0)	.860 (21.8)	.620 (15.7)	.890 (22.6)
24	.760 (19.3)	.995 (25.3)	.745 (18.9)	1.010 (25.7)
32	1.012 (25.7)	1.276 (32.4)	.995 (25.3)	1.338 (34.0)
40	1.265 (32.1)	1.636 (41.6)	1.245 (31.6)	1.600 (40.6)
48	1.510 (38.4)	1.891 (48.0)	1.495 (38.0)	1.850 (47.0)
56	1.760 (44.7)	2.136 (54.3)	1.760 (44.7)	2.121 (53.9)
64	2.010 (51.1)	2.401 (61.0)	1.995 (50.7)	2.360 (59.9)
80	2.515 (63.9)	2.896 (73.6)	2.495 (63.4)	2.860 (72.6)
96	2.995 (76.1)	3.365 (85.5)	2.995 (76.1)	3.350 (85.1)

SYM	Shield/Braid
B	Bronze (Standard for Brass Core)
C	Stainless Steel (Standard for SST and Nickel/Iron Core)
T	Tin Copper
N	Nickel Copper
S	SnCuFe
A	Silver Copper
L	Armorlite™
D	Dacron
M	Nomex
E	AmberStrand® 100%
F	AmberStrand® 75%/25%

Length (Inches)	Tolerance (Inches)
Up To 18	± .50
19 - 36	± 1.0
37 - 72	± 1.5
73 - 144	± 2.0
145 - 300	± 3.0
301 - 600	± 4.0
601 - 1200	± 5.0
1201 - Up	± 6.0

SYM	Core Material
B	Brass, Per A-A-52440 Type I, Grade B
C	Stainless Steel
N	80% Nickel, 20% Iron



Packaging

Long-length orders of 750-193 braided conduit are subject to carrier weight and box size restrictions. For example, UPS air shipments are currently limited to 50 lbs. per box. Unless otherwise specified, Glenair standard practice is to ship optimal lengths of product based on weight, size, and individual carrier specifications. Consult factory for additional information or to specify packaging requirements.