

712-835

**Heavy-Duty Environmental System - Metal
Environmental Conduit to Transition or End Fitting Backshell
for Series 75 Metal-Core Conduit**



Series 75
Metal-Core Conduit

Table III: Thread Dash No./Dimensions

Thread Dash No.	A Thread	Ø B Max	Ø C
08	1/2-20 UNF	.640 (16.3)	.250 (6.35)
12	5/8-24 UNEF	.760 (19.3)	.375 (9.53)
16	3/4-20 UNEF	.890 (22.6)	.500 (12.7)
20	7/8-20 UNEF	1.024 (26.0)	.625 (15.9)
24	1.00-20 UNEF	1.152 (29.2)	.750 (19.1)
32	1 5/16-18 UNEF	1.488 (37.8)	1.000 (25.4)
40	1 1/2-18 UNEF	1.676 (42.7)	1.250 (31.8)
48	1 3/4-18 UNS	1.960 (49.8)	1.500 (38.1)
64	2 1/4-16 UN	2.460 (62.5)	2.000 (50.8)
80	2 3/4-16 UN	3.000 (76.2)	2.500 (63.5)
96	3 1/4-16 UN	3.450 (87.6)	3.000 (76.2)

Table II: Material/Finish

Sym	Material	Finish Description
BO	Brass	Unplated
BN	Brass	Cadmium/Olive Drab Over Electroless Nickel (1,000 Hour Salt Spray)
BM	Brass	Electroless Nickel
BMT	Brass	Nickel-PTFE
M	Aluminum Alloy	Electroless Nickel
MT	Aluminum Alloy	Nickel-PTFE
NF	Aluminum Alloy	Cadmium/Olive Drab Over Electroless Nickel (1,000 Hour Salt Spray)
Z1	300 Series SST	Passivate
ZM	300 Series SST	Electroless Nickel
ZN	Aluminum Alloy	Zinc Nickel/Olive Drab Over Electroless Nickel (1,000 Hour Salt Spray)
ZW	300 Series SST	Cad O.D. Over Electroless Nickel

Table IV: Recommended Torque

Conduit Size Code	±5 Inch Pounds	
	Sleeve	Nut
08	120	40-60
12	120	↑
16	140	↑
20	140	↑
24	150	↑
32	170	↑
40	170	↑
48	170	↑
64	170	↓
80	170	40-60

Table IV: Dash No./Dimensions

Dash No.	D I.D.	Ø E Max	F Max	G Max	H Max	J Max
08	.250 (6.4)	1.18 (30.0)	.71 (18.0)	1.63 (41.4)	.88 (22.4)	1.90 (48.3)
12	.375 (9.5)	1.32 (33.5)	.74 (18.8)	1.66 (42.2)	.95 (24.1)	1.97 (50.0)
16	.500 (12.7)	1.45 (36.8)	.76 (19.3)	1.70 (43.2)	1.02 (25.9)	2.07 (52.6)
20	.625 (15.9)	1.66 (42.2)	.79 (20.0)	1.73 (43.9)	1.12 (28.4)	2.14 (54.4)
24	.750 (19.1)	1.79 (45.5)	.83 (21.1)	1.78 (45.2)	1.19 (30.2)	2.21 (56.1)
32	1.000 (25.4)	2.06 (52.3)	.88 (22.4)	1.85 (47.0)	1.32 (33.5)	2.38 (60.5)
40	1.250 (31.8)	2.32 (58.9)	1.07 (27.2)	1.91 (48.5)	1.52 (38.6)	2.52 (64.0)
48	1.500 (38.1)	2.59 (65.8)	1.16 (29.5)	2.01 (51.1)	1.66 (42.2)	2.73 (69.3)
64	2.000 (50.8)	3.26 (82.8)	1.26 (32.0)	2.11 (53.6)	1.99 (50.5)	3.09 (78.5)
80	2.500 (63.5)	3.80 (96.5)	1.31 (33.3)	2.18 (55.4)	2.26 (57.4)	3.21 (81.5)
96	3.000 (76.2)	4.45 (113.0)	1.42 (36.1)	2.28 (57.9)	2.59 (65.8)	3.42 (86.9)

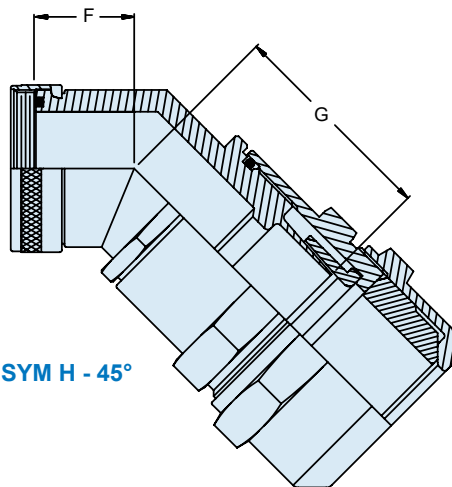


Table V: Conduit Type

Conduit Type	Part Number	Configuration
A	750-192	Brass conduit with single braided shield and jacket
B	750-194	Brass conduit with double braided shield and jacket
H	750-192	Stainless steel conduit with single braided shield and jacket
J	750-192	Nickel/iron conduit with single braided shield and jacket